

### SUMMARY

High performance 32-bit/40-bit floating-point processor optimized for high performance audio processing  
Single-instruction, multiple-data (SIMD) computational architecture

5 Mbits of on-chip RAM, 4 Mbits of on-chip ROM

Up to 450 MHz operating frequency

Qualified for automotive applications, see [Automotive Products on Page 72](#)

Code compatible with all other members of the SHARC family

Available with unique audiocentric peripherals such as the digital applications interface, DTCP (digital transmission content protection protocol), serial ports, precision clock generators, S/PDIF transceiver, asynchronous sample rate converters, input data port, and more.

For complete ordering information, see [Ordering Guide on Page 72](#)

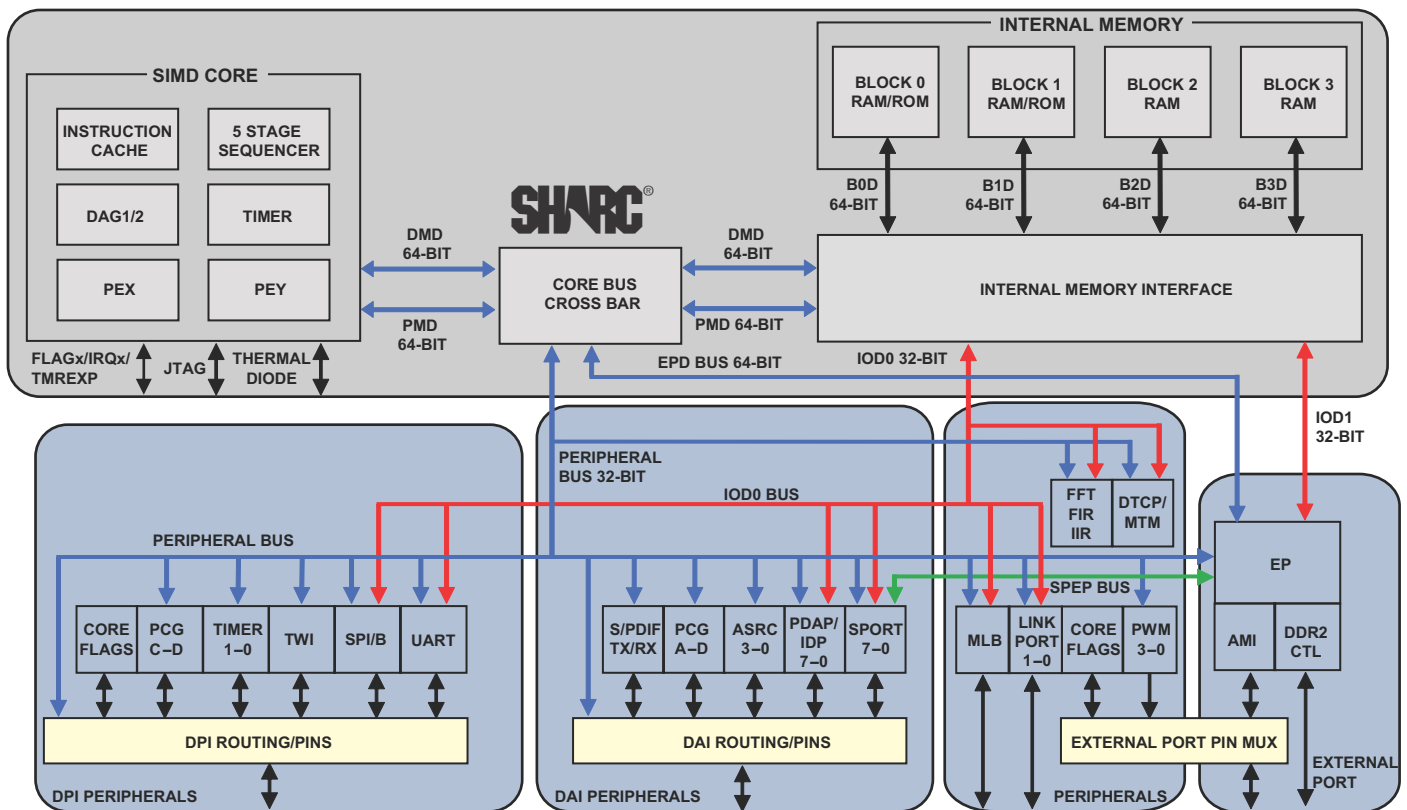


Figure 1. Functional Block Diagram

SHARC and the SHARC logo are registered trademarks of Analog Devices, Inc.

### Rev. A

Information furnished by Analog Devices is believed to be accurate and reliable. However, no responsibility is assumed by Analog Devices for its use, nor for any infringements of patents or other rights of third parties that may result from its use. Specifications subject to change without notice. No license is granted by implication or otherwise under any patent or patent rights of Analog Devices. Trademarks and registered trademarks are the property of their respective companies.

# ADSP-21467/ADSP-21469

## TABLE OF CONTENTS

Summary .....	1	Package Information .....	21
General Description .....	3	ESD Sensitivity .....	22
Family Core Architecture .....	4	Timing Specifications .....	22
Family Peripheral Architecture .....	7	Test Conditions .....	60
System Design .....	10	Output Drive Currents .....	60
Development Tools .....	11	Capacitive Loading .....	61
Additional Information .....	11	Thermal Characteristics .....	63
Related Signal Chains .....	11	CSP_BGA Ball Assignment—Automotive Models .....	65
Pin Function Descriptions .....	12	CSP_BGA Ball Assignment—Standard Models .....	68
Specifications .....	18	Outline Dimensions .....	71
Operating Conditions .....	18	Surface-Mount Design .....	71
Electrical Characteristics .....	19	Automotive Products .....	72
Absolute Maximum Ratings .....	21	Ordering Guide .....	72

## REVISION HISTORY

### 12/11—Rev. 0 to Rev A

Revised both footnotes in SHARC Family Features .....	3
Added the ADSP-21467 model with internal ROM.	
SHARC Family Features .....	3
Internal Memory Space .....	6
Automotive Products .....	72
Added information on correct pin termination for unused pins and revised pin descriptions and ball assignments.	
Unused Pin Terminations .....	12
Pin Descriptions .....	13
CSP_BGA Ball Assignment—Standard Models .....	68
Corrected document errata associated with the following specifications.	
Pin Function Descriptions .....	12
DDR2 SDRAM Read Cycle Timing .....	32
DDR2 SDRAM Write Cycle Timing .....	33
AMI Read .....	34
Added information for shared memory support.	
Shared External Memory .....	7
Pin Function Descriptions .....	12
Shared Memory Bus Request .....	37
CSP_BGA Ball Assignment—Automotive Models .....	65
CSP_BGA Ball Assignment—Standard Models .....	68

## GENERAL DESCRIPTION

The ADSP-21467/ADSP-21469 SHARC<sup>®</sup> processors are members of the SIMD SHARC family of DSPs that feature Analog Devices' Super Harvard Architecture. The processors are source code compatible with the ADSP-2126x, ADSP-2136x, ADSP-2137x, and ADSP-2116x DSPs, as well as with first generation ADSP-2106x SHARC processors in SISD (single-instruction, single-data) mode. These 32-bit/40-bit floating-point processors are optimized for high performance audio applications with their large on-chip SRAM, multiple internal buses to eliminate I/O bottlenecks, and an innovative digital applications/peripheral interfaces (DAI/DPI).

Table 1 shows performance benchmarks for the processor, and Table 2 shows the product's features.

**Table 1. Processor Benchmarks**

Benchmark Algorithm	Speed (at 450 MHz)
1024 Point Complex FFT (Radix 4, with Reversal)	20.44 $\mu$ s
FIR Filter (Per Tap) <sup>1</sup>	1.11 ns
IIR Filter (Per Biquad) <sup>1</sup>	4.43 ns
Matrix Multiply (Pipelined)	
[3 × 3] × [3 × 1]	10.0 ns
[4 × 4] × [4 × 1]	17.78 ns
Divide (y/x)	6.67 ns
Inverse Square Root	10.0 ns

<sup>1</sup> Assumes two files in multichannel SIMD mode

**Table 2. SHARC Family Features**

Feature	ADSP-21467	ADSP-21469
Maximum Frequency	450 MHz	
RAM	5 Mbits	
ROM	4 Mbits	N/A
Audio Decoders in ROM <sup>1</sup>	Yes	No
DTCP Hardware Accelerator <sup>2</sup>	No	
Pulse-Width Modulation	Yes	
S/PDIF	Yes	
DDR2 Memory Interface	Yes	
DDR2 Memory Bus Width	16 Bits	
Shared DDR2 External Memory	Yes	
Direct DMA from SPORTs to External Memory	Yes	
FIR, IIR, FFT Accelerator	Yes	
MLB Interface	Automotive Models Only	
IDP	Yes	
Serial Ports	8	
DAI (SRU)/DPI (SRU2)	20/14 pins	
UART	1	
Link Ports	2	
AMI Interface with 8-Bit Support	Yes	

**Table 2. SHARC Family Features (Continued)**

Feature	ADSP-21467	ADSP-21469
SPI	2	
TWI	Yes	
SRC Performance	-128 dB	
Package	324-Ball CSP_BGA	

<sup>1</sup> Factory programmed ROM includes: Dolby AC-3 5.1 Decode, Dolby Pro Logic IIX, Dolby Intelligent Mixer (eMix), Dolby Volume postprocessor, Dolby Headphone v2, DTS Neo:6 and Decode, DTS 5.1 Decode (96/24), Math Tables/Twiddle Factors/256 and 512 FFT, and ASRC. Please visit [www.analog.com](http://www.analog.com) for complete product information and availability.

<sup>2</sup> Contact your local Analog Devices sales office for more information regarding availability of ADSP-21467/ADSP-21469 processors which support DTCP.

Figure 1 on Page 1 shows the two clock domains that make up the processor. The core clock domain contains the following features:

- Two processing elements (PE<sub>x</sub>, PE<sub>y</sub>), each of which comprises an ALU, multiplier, shifter, and data register file
- Data address generators (DAG1, DAG2)
- Program sequencer with instruction cache
- One periodic interval timer with pinout
- PM and DM buses capable of supporting 2 × 64-bit data transfers between memory and the core at every core processor cycle
- On-chip SRAM (5 Mbits)
- On-chip mask-programmable ROM (4 Mbits)
- JTAG test access port for emulation and boundary scan. The JTAG provides software debug through user breakpoints which allows flexible exception handling.

Figure 1 on Page 1 also shows the peripheral clock domain (also known as the I/O processor) which contains the following features:

- IOD0 (peripheral DMA) and IOD1 (external port DMA) buses for 32-bit data transfers
- Peripheral and external port buses for core connection
- External port with an AMI and DDR2 controller
- 4 units for PWM control
- 1 MTM unit for internal-to-internal memory transfers
- Digital applications interface that includes four precision clock generators (PCG), an input data port (IDP) for serial and parallel interconnect, an S/PDIF receiver/transmitter, four asynchronous sample rate converters, eight serial ports, a flexible signal routing unit (DAI SRU).
- Digital peripheral interface that includes two timers, a 2-wire interface, one UART, two serial peripheral interfaces (SPI), 2 precision clock generators (PCG) and a flexible signal routing unit (DPI SRU).

# ADSP-21467/ADSP-21469

As shown in [Figure 1 on Page 1](#), the processor uses two computational units to deliver a significant performance increase over the previous SHARC processors on a range of DSP algorithms. With its SIMD computational hardware, the processors can perform 2.7 GFLOPS running at 450 MHz and 2.4 GFLOPS running at 400 MHz.

## FAMILY CORE ARCHITECTURE

The processors are code compatible at the assembly level with the ADSP-2137x, ADSP-2136x, ADSP-2126x, ADSP-21160, and ADSP-21161, and with the first generation ADSP-2106x SHARC processors. The ADSP-21467/ADSP-21469 processors share architectural features with the ADSP-2126x, ADSP-2136x, ADSP-2137x, and ADSP-2116x SIMD SHARC processors, as shown in [Figure 2](#) and detailed in the following sections.

### SIMD Computational Engine

The processor contains two computational processing elements that operate as a single-instruction, multiple-data (SIMD) engine. The processing elements are referred to as PEX and PEY and each contains an ALU, multiplier, shifter, and register file. PEX is always active, and PEY may be enabled by setting the PEYEN mode bit in the MODE1 register. When this mode is enabled, the same instruction is executed in both processing elements, but each processing element operates on different data. This architecture is efficient at executing math intensive DSP algorithms.

Entering SIMD mode also has an effect on the way data is transferred between memory and the processing elements. When in SIMD mode, twice the data bandwidth is required to sustain computational operation in the processing elements. Because of this requirement, entering SIMD mode also doubles the bandwidth between memory and the processing elements. When using the DAGs to transfer data in SIMD mode, two data values are transferred with each access of memory or the register file.

### Independent, Parallel Computation Units

Within each processing element is a set of computational units. The computational units consist of an arithmetic/logic unit (ALU), multiplier, and shifter. These units perform all operations in a single cycle. The three units within each processing element are arranged in parallel, maximizing computational throughput. Single multifunction instructions execute parallel ALU and multiplier operations. In SIMD mode, the parallel ALU and multiplier operations occur in both processing elements. These computation units support IEEE 32-bit single-precision floating-point, 40-bit extended precision floating-point, and 32-bit fixed-point data formats.

### Timer

A core timer that can generate periodic software interrupts. The core timer can be configured to use FLAG3 as a timer expired signal.

### Data Register File

A general-purpose data register file is contained in each processing element. The register files transfer data between the computation units and the data buses, and store intermediate

results. These 10-port, 32-register (16 primary, 16 secondary) register files, combined with the processor's enhanced Harvard architecture, allow unconstrained data flow between computation units and internal memory. The registers in PEX are referred to as R0-R15 and in PEY as S0-S15.

### Context Switch

Many of the processor's registers have secondary registers that can be activated during interrupt servicing for a fast context switch. The data registers in the register file, the DAG registers, and the multiplier result registers all have secondary registers. The primary registers are active at reset, while the secondary registers are activated by control bits in a mode control register.

### Universal Registers

These registers can be used for general-purpose tasks. The USTAT (4) registers allow easy bit manipulations (Set, Clear, Toggle, Test, XOR) for all system registers (control/status) of the core.

The data bus exchange register (PX) permits data to be passed between the 64-bit PM data bus and the 64-bit DM data bus, or between the 40-bit register file and the PM/DM data buses. These registers contain hardware to handle the data width difference.

### Single-Cycle Fetch of Instruction and Four Operands

The processors feature an enhanced Harvard Architecture in which the data memory (DM) bus transfers data and the program memory (PM) bus transfers both instructions and data (see [Figure 2](#)). With its separate program and data memory buses and on-chip instruction cache, the processor can simultaneously fetch four operands (two over each data bus) and one instruction (from the cache), all in a single cycle.

### Instruction Cache

The processors contain an on-chip instruction cache that enables three-bus operation for fetching an instruction and four data values. The cache is selective—only the instructions whose fetches conflict with PM bus data accesses are cached. This cache allows full speed execution of core, looped operations such as digital filter multiply-accumulates, and FFT butterfly processing.

### Data Address Generators With Zero-Overhead Hardware Circular Buffer Support

The two data address generators (DAGs) are used for indirect addressing and implementing circular data buffers in hardware. Circular buffers allow efficient programming of delay lines and other data structures required in digital signal processing, and are commonly used in digital filters and Fourier transforms. The two DAGs of the processors contain sufficient registers to allow the creation of up to 32 circular buffers (16 primary register sets, 16 secondary). The DAGs automatically handle address pointer wraparound, reduce overhead, increase performance, and simplify implementation. Circular buffers can start and end at any memory location.

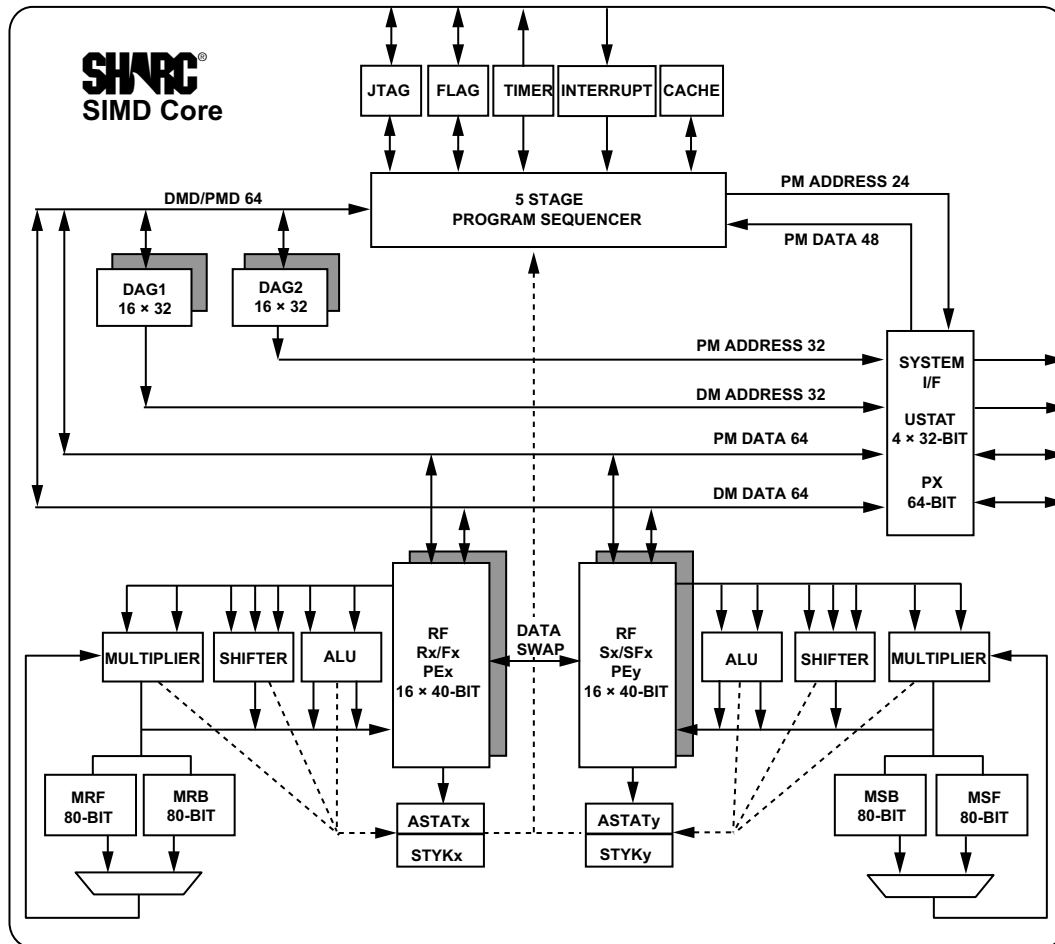


Figure 2. SHARC Core Block Diagram

### Flexible Instruction Set

The 48-bit instruction word accommodates a variety of parallel operations for concise programming. For example, the processor can conditionally execute a multiply, an add, and a subtract in both processing elements while branching and fetching up to four 32-bit values from memory—all in a single instruction.

### Variable Instruction Set Architecture (VISA)

In addition to supporting the standard 48-bit instructions from previous SHARC processors, the processors support new instructions of 16 and 32 bits. This feature, called Variable Instruction Set Architecture (VISA), drops redundant/unused bits within the 48-bit instruction to create more efficient and compact code. The program sequencer supports fetching these 16-bit and 32-bit instructions from both internal and external DDR2 memory. Source modules need to be built using the VISA option in order to allow code generation tools to create these more efficient opcodes.

### On-Chip Memory

The processors contain 5 Mbits of internal RAM. Each block can be configured for different combinations of code and data storage (see Table 4). Each memory block supports single-cycle, independent accesses by the core processor and I/O processor. The memory architecture, in combination with its separate on-chip buses, allows two data transfers from the core and one from the I/O processor in a single cycle.

The processor's SRAM can be configured as a maximum of 160k words of 32-bit data, 320k words of 16-bit data, 106.7k words of 48-bit instructions (or 40-bit data), or combinations of different word sizes up to 5 Mbits. All of the memory can be accessed as 16-bit, 32-bit, 48-bit, or 64-bit words. A 16-bit floating-point storage format is supported that effectively doubles the amount of data that may be stored on-chip. Conversion between the 32-bit floating-point and 16-bit floating-point formats is performed in a single instruction. While each memory block can store combinations of code and data, accesses are most efficient when one block stores data using the DM bus for transfers, and the other block stores instructions and data using the PM bus for transfers.

# ADSP-21467/ADSP-21469

Using the DM bus and PM buses, with one bus dedicated to a memory block, assures single-cycle execution with two data transfers. In this case, the instruction must be available in the cache.

The memory map in Table 3 displays the internal memory address space of the processors. The 48-bit space section describes what this address range looks like to an instruction that retrieves 48-bit memory. The 32-bit section describes what this address range looks like to an instruction that retrieves 32-bit memory.

## On-Chip Memory Bandwidth

The internal memory architecture allows programs to have four accesses at the same time to any of the four blocks (assuming there are no block conflicts). The total bandwidth is realized using the DMD and PMD buses (2 × 64-bits, CCLK speed) and the IOD0/1 buses (2 × 32-bit, PCLK speed).

## Nonsecured ROM

For nonsecured ROM, booting modes are selected using the BOOTCFG pins as shown in Table 8 on Page 10. In this mode, emulation is always enabled, and the IVT is placed on the internal RAM except for the case where BOOTCFGx = 011.

## ROM-Based Security

The ROM security feature provides hardware support for securing user software code by preventing unauthorized reading from the internal code when enabled. When using this feature, the processors do not boot-load any external code, executing exclusively from internal ROM. Additionally, the processors are not freely accessible via the JTAG port. Instead, a unique 64-bit key, which must be scanned in through the JTAG or Test Access Port will be assigned to each customer.

## Digital Transmission Content Protection

The DTCP specification defines a cryptographic protocol for protecting audio entertainment content from illegal copying, intercepting, and tampering as it traverses high performance digital buses, such as the IEEE 1394 standard. Only legitimate entertainment content delivered to a source device via another approved copy protection system (such as the DVD content scrambling system) is protected by this copy protection system.

Table 3. Internal Memory Space<sup>1</sup>

IOP Registers 0x0000 0000–0x0003 FFFF			
Long Word (64 Bits)	Extended Precision Normal or Instruction Word (48 Bits)	Normal Word (32 Bits)	Short Word (16 Bits)
Block 0 ROM (Reserved) 0x0004 0000–0x0004 7FFF	Block 0 ROM (Reserved) 0x0008 0000–0x0008 AAA9	Block 0 ROM (Reserved) 0x0008 0000–0x0008 FFFF	Block 0 ROM (Reserved) 0x0010 0000–0x0011 FFFF
Reserved 0x0004 8000–0x0004 8FFF	Reserved 0x0008 AAAA–0x0008 BFFF	Reserved 0x0009 0000–0x0009 1FFF	Reserved 0x0012 0000–0x0012 3FFF
Block 0 SRAM 0x0004 9000–0x0004 EFFF	Block 0 SRAM 0x0008 C000–0x0009 3FFF	Block 0 SRAM 0x0009 2000–0x0009 DFFF	Block 0 SRAM 0x0012 4000–0x0013 BFFF
Reserved 0x0004 F000–0x0004 FFFF	Reserved 0x0009 4000–0x0009 FFFF	Reserved 0x0009 E000–0x0009 FFFF	Reserved 0x0013 C000–0x0013 FFFF
Block 1 ROM (Reserved) 0x0005 0000–0x0005 7FFF	Block 1 ROM (Reserved) 0x000A 0000–0x000A AAA9	Block 1 ROM (Reserved) 0x000A 0000–0x000A FFFF	Block 1 ROM (Reserved) 0x0014 0000–0x0015 FFFF
Reserved 0x0005 8000–0x0005 8FFF	Reserved 0x000A AAAA–0x000A BFFF	Reserved 0x000B 0000–0x000B 1FFF	Reserved 0x0016 0000–0x0016 3FFF
Block 1 SRAM 0x0005 9000–0x0005 EFFF	Block 1 SRAM 0x000A C000–0x000B 3FFF	Block 1 SRAM 0x000B 2000–0x000B DFFF	Block 1 SRAM 0x0016 4000–0x0017 BFFF
Reserved 0x0005 F000–0x0005 FFFF	Reserved 0x000B 4000–0x000B FFFF	Reserved 0x000B E000–0x000B FFFF	Reserved 0x0017 C000–0x0017 FFFF
Block 2 SRAM 0x0006 0000–0x0006 3FFF	Block 2 SRAM 0x000C 0000–0x000C 5554	Block 2 SRAM 0x000C 0000–0x000C 7FFF	Block 2 SRAM 0x0018 0000–0x0018 FFFF
Reserved 0x0006 4000–0x0006 FFFF	Reserved 0x000C 5555–0x000D FFFF	Reserved 0x000C 8000–0x000D FFFF	Reserved 0x0019 0000–0x001B FFFF
Block 3 SRAM 0x0007 0000–0x0007 3FFF	Block 3 SRAM 0x000E 0000–0x000E 5554	Block 3 SRAM 0x000E 0000–0x000E 7FFF	Block 3 SRAM 0x001C 0000–0x001C FFFF
Reserved 0x0007 4000–0x0007 FFFF	Reserved 0x000E 5555–0x000F FFFF	Reserved 0x000E 8000–0x000F FFFF	Reserved 0x001D 0000–0x001F FFFF

<sup>1</sup> Some processors include a customer-definable ROM block. ROM addresses on these models are not reserved as shown in this table. Please contact your Analog Devices sales representative for additional details.

## FAMILY PERIPHERAL ARCHITECTURE

The processors contain a rich set of peripherals that support a wide variety of applications including high quality audio, medical imaging, communications, military, test equipment, 3D graphics, speech recognition, motor control, imaging, and other applications.

### External Port

The external port interface supports access to the external memory through core and DMA accesses. The external memory address space is divided into four banks. Any bank can be programmed as either asynchronous or synchronous memory. The external ports are comprised of the following modules.

- An Asynchronous Memory Interface which communicates with SRAM, Flash, and other devices that meet the standard asynchronous SRAM access protocol. The AMI supports 2M words of external memory in bank 0 and 4M words of external memory in bank 1, bank 2, and bank 3.
- A DDR2 DRAM controller. External memory devices up to 2 Gbits in size can be supported.
- Arbitration logic to coordinate core and DMA transfers between internal and external memory over the external port.

### External Memory

The external port on the processors provide a high performance, glueless interface to a wide variety of industry-standard memory devices. The external port may be used to interface to synchronous and/or asynchronous memory devices through the use of its separate internal DDR2 memory controller. The 16-bit DDR2 DRAM controller connects to industry-standard synchronous DRAM devices, while the second 8-bit asynchronous memory controller is intended to interface to a variety of memory devices. Four memory select pins enable up to four separate devices to coexist, supporting any desired combination of synchronous and asynchronous device types. Non-DDR2 DRAM external memory address space is shown in [Table 4](#).

**Table 4. External Memory for Non-DDR2 DRAM Addresses**

Bank	Size in Words	Address Range
Bank 0	2M	0x0020 0000 – 0x003F FFFF
Bank 1	4M	0x0400 0000 – 0x043F FFFF
Bank 2	4M	0x0800 0000 – 0x083F FFFF
Bank 3	4M	0x0C00 0000 – 0x0C3F FFFF

### SIMD Access to External Memory

The DDR2 controller supports SIMD access on the 64-bit EPD (external port data bus) which allows to access the complementary registers on the PEy unit in the normal word space (NW). This improves performance since there is no need to explicitly load the complimentary registers as in SISD mode.

### VISA and ISA Access to External Memory

The DDR2 controller also supports VISA code operation which reduces the memory load since the VISA instructions are compressed. Moreover, bus fetching is reduced because, in the best case, one 48-bit fetch contains three valid instructions. Code execution from the traditional ISA operation is also supported. Note that code execution is only supported from bank 0 regardless of VISA/ISA. [Table 5](#) shows the address ranges for instruction fetch in each mode.

**Table 5. External Bank 0 Instruction Fetch**

Access Type	Size in Words	Address Range
ISA (NW)	4M	0x0020 0000 – 0x005F FFFF
VISA (SW)	10M	0x0060 0000 – 0x00FF FFFF

### Shared External Memory

The processors support connection to common shared external DDR2 memory with other ADSP-2146x processors to create shared external bus processor systems. This support includes:

- Distributed, on-chip arbitration for the shared external bus
- Fixed and rotating priority bus arbitration
- Bus time-out logic
- Bus lock

Multiple processors can share the external bus with no additional arbitration logic. Arbitration logic is included on-chip to allow the connection of up to two processors. [Table 10 on Page 13](#) provides descriptions of the pins used in multiprocessor systems.

### DDR2 Support

The processors support a 16-bit DDR2 interface operating at a maximum frequency of half the core clock. Execution from external memory is supported. External memory devices up to 2 Gbits in size can be supported.

### DDR2 DRAM Controller

The DDR2 DRAM controller provides a 16-bit interface to up to four separate banks of industry-standard DDR2 DRAM devices. Fully compliant with the DDR2 DRAM standard, each bank can have its own memory select line (DDR2\_CS3 – DDR2\_CS0), and can be configured to contain between 32 Mbytes and 256 Mbytes of memory. DDR2 DRAM external memory address space is shown in [Table 6](#).

A set of programmable timing parameters is available to configure the DDR2 DRAM banks to support memory devices.

**Table 6. External Memory for DDR2 DRAM Addresses**

Bank	Size in Words	Address Range
Bank 0	62M	0x0020 0000 – 0x03FF FFFF
Bank 1	64M	0x0400 0000 – 0x07FF FFFF
Bank 2	64M	0x0800 0000 – 0x0BFF FFFF
Bank 3	64M	0x0C00 0000 – 0x0FFF FFFF

# ADSP-21467/ADSP-21469

Note that the external memory bank addresses shown are for normal-word (32-bit) accesses. If 48-bit instructions, as well as 32-bit data, are both placed in the same external memory bank, care must be taken while mapping them to avoid overlap.

## Asynchronous Memory Controller

The asynchronous memory controller provides a configurable interface for up to four separate banks of memory or I/O devices. Each bank can be independently programmed with different timing parameters, enabling connection to a wide variety of memory devices including SRAM, Flash, and EPROM, as well as I/O devices that interface with standard memory control lines. Bank 0 occupies a 2M word window and banks 1, 2, and 3 occupy a 4M word window in the processor's address space but, if not fully populated, these windows are not made contiguous by the memory controller logic.

## External Port Throughput

The throughput for the external port, based on a 400 MHz clock, is 66M bytes/s for the AMI and 800M bytes/s for DDR2.

## Link Ports

Two 8-bit wide link ports can connect to the link ports of other DSPs or peripherals. Link ports are bidirectional ports having eight data lines, an acknowledge line, and a clock line. Link ports can operate at a maximum frequency of 166 MHz.

## MediaLB

The automotive model has a MLB interface which allows the processors to function as a media local bus device. It includes support for both 3-pin and 5-pin media local bus protocols. It supports speeds up to 1024 FS (49.25M bits/sec, FS = 48.1 kHz) and up to 31 logical channels, with up to 124 bytes of data per media local bus frame.

The MLB interface supports MOST25 and MOST50 data rates. The isochronous mode of transfer is not supported.

## Pulse-Width Modulation

The PWM module is a flexible, programmable, PWM waveform generator that can be programmed to generate the required switching patterns for various applications related to motor and engine control or audio power control. The PWM generator can generate either center-aligned or edge-aligned PWM waveforms. In addition, it can generate complementary signals on two outputs in paired mode or independent signals in non-paired mode (applicable to a single group of four PWM waveforms). The PWM generator is capable of operating in two distinct modes while generating center-aligned PWM waveforms: single update mode or double update mode.

The entire PWM module has four groups of four PWM outputs each. Therefore, this module generates 16 PWM outputs in total. Each PWM group produces two pairs of PWM signals on the four PWM outputs.

## Digital Applications Interface (DAI)

The digital applications interface (DAI) provides the ability to connect various peripherals to any of the DAI pins (DAI\_P20–1).

Programs make these connections using the signal routing unit (SRU), shown in [Figure 1 on Page 1](#).

The SRU is a matrix routing unit (or group of multiplexers) that enables the peripherals provided by the DAI to be interconnected under software control. This allows easy use of the DAI associated peripherals for a much wider variety of applications by using a larger set of algorithms than is possible with nonconfigurable signal paths.

The DAI includes the peripherals described in the following sections.

### Serial Ports

The processors feature eight synchronous serial ports that provide an inexpensive interface to a wide variety of digital and mixed-signal peripheral devices such as Analog Devices' AD183x family of audio codecs, ADCs, and DACs. The serial ports are made up of two data lines, a clock, and frame sync. The data lines can be programmed to either transmit or receive and each data line has a dedicated DMA channel.

Serial ports can support up to 16 transmit or 16 receive DMA channels of audio data when all eight SPORTs are enabled, or four full duplex TDM streams of 128 channels per frame.

The serial ports operate at a maximum data rate of  $f_{\text{PCLK}}/4$ . Serial port data can be automatically transferred to and from on-chip memory/external memory via dedicated DMA channels. Each of the serial ports can work in conjunction with another serial port to provide TDM support. One SPORT provides two transmit signals while the other SPORT provides the two receive signals. The frame sync and clock are shared.

Serial ports operate in five modes:

- Standard DSP serial mode
- Multichannel (TDM) mode
- I<sup>2</sup>S mode
- Packed I<sup>2</sup>S mode
- Left-justified mode

### S/PDIF-Compatible Digital Audio Receiver/Transmitter

The S/PDIF receiver/transmitter has no separate DMA channels. It receives audio data in serial format and converts it into a biphasic encoded signal. The serial data input to the receiver/transmitter can be formatted as left justified, I<sup>2</sup>S or right justified with word widths of 16, 18, 20, or 24 bits.

The serial data, clock, and frame sync inputs to the S/PDIF receiver/transmitter are routed through the signal routing unit (SRU). They can come from a variety of sources, such as the SPORTs, external pins, and the precision clock generators (PCGs), and are controlled by the SRU control registers.



## Asynchronous Sample Rate Converter

The asynchronous sample rate converter (ASRC) contains four ASRC blocks, is the same core as that used in the AD1896 192 kHz stereo asynchronous sample rate converter, and provides up to 128 dB SNR. The ASRC block is used to perform synchronous or asynchronous sample rate conversion across independent stereo channels, without using internal processor resources. The four SRC blocks can also be configured to operate together to convert multichannel audio data without phase mismatches. Finally, the ASRC can be used to clean up audio data from jittery clock sources such as the S/PDIF receiver.

## Input Data Port

The IDP provides up to eight serial input channels—each with its own clock, frame sync, and data inputs. The eight channels are automatically multiplexed into a single 32-bit by eight-deep FIFO. Data is always formatted as a 64-bit frame and divided into two 32-bit words. The serial protocol is designed to receive audio channels in I<sup>2</sup>S, left-justified sample pair, or right-justified mode. One frame sync cycle indicates one 64-bit left/right pair, but data is sent to the FIFO as 32-bit words (that is, one-half of a frame at a time). The processors support 24- and 32-bit I<sup>2</sup>S, 24- and 32-bit left-justified, and 24-, 20-, 18- and 16-bit right-justified formats.

## Precision Clock Generators

The precision clock generators (PCG) consist of four units—A, B, C, and D, each of which generates a pair of signals (clock and frame sync) derived from a clock input signal. The units are identical in functionality and operate independently of each other. The two signals generated by each unit are normally used as a serial bit clock/frame sync pair.

## Digital Peripheral Interface (DPI)

The digital peripheral interface provides connections to two serial peripheral interface (SPI) ports, one universal asynchronous receiver-transmitter (UART), 12 flags, a 2-wire interface (TWI), and two general-purpose timers. The DPI includes the peripherals described in the following sections.

## Serial Peripheral Interface

The processors contain two serial peripheral interface ports (SPI). The SPI is an industry-standard synchronous serial link, enabling the SPI-compatible port to communicate with other SPI compatible devices. The SPI consists of two data pins, one device select pin, and one clock pin. It is a full-duplex synchronous serial interface, supporting both master and slave modes. The SPI port can operate in a multimaster environment by interfacing with up to four other SPI-compatible devices, either acting as a master or slave device. The SPI-compatible peripheral implementation also features programmable baud rate, clock phase, and polarities. The SPI-compatible port uses open-drain drivers to support a multimaster configuration and to avoid data contention.

## UART Port

The processors provide a full-duplex Universal Asynchronous Receiver/Transmitter (UART) port, which is fully compatible with PC-standard UARTs. The UART port provides a simplified UART interface to other peripherals or hosts, supporting full-duplex, DMA-supported, asynchronous transfers of serial data. The UART also has multiprocessor communication capability using 9-bit address detection. This allows it to be used in multidrop networks through the RS-485 data interface standard. The UART port also includes support for 5 to 8 data bits, 1 or 2 stop bits, and none, even, or odd parity. The UART port supports two modes of operation:

- PIO (programmed I/O) – The processors send or receive data by writing or reading I/O-mapped UART registers. The data is double-buffered on both transmit and receive.
- DMA (direct memory access) – The DMA controller transfers both transmit and receive data. This reduces the number and frequency of interrupts required to transfer data to and from memory.

## Timers

The processors have a total of three timers: a core timer that can generate periodic software interrupts and two general-purpose timers that can generate periodic interrupts and be independently set to operate in one of three modes:

- Pulse waveform generation mode
- Pulse width count/capture mode
- External event watchdog mode

The core timer can be configured to use FLAG3 as a timer expired signal, and each general-purpose timer has one bidirectional pin and four registers that implement its mode of operation. A single control and status register enables or disables both general-purpose timers independently.

## 2-Wire Interface Port (TWI)

The TWI is a bidirectional, 2-wire serial bus used to move 8-bit data while maintaining compliance with the I<sup>2</sup>C bus protocol. The TWI master incorporates the following features:

- 7-bit addressing
- Simultaneous master and slave operation on multiple device systems with support for multi master data arbitration
- Digital filtering and timed event processing
- 100 kbps and 400 kbps data rates
- Low interrupt rate

## I/O Processor Features

Automotive versions of the I/O processor provide 67 channels of DMA, while standard versions provide 36 channels of DMA, as well as an extensive set of peripherals that are described in the following sections.

# ADSP-21467/ADSP-21469

## DMA Controller

The DMA controller allows data transfers without processor intervention. The DMA controller operates independently and invisibly to the processor core, allowing DMA operations to occur while the core is simultaneously executing its program instructions. DMA transfers can occur between the processor's internal memory and its serial ports, the SPI-compatible (serial peripheral interface) ports, the IDP (input data port), the parallel data acquisition port (PDAP), or the UART.

Up to 67 channels of DMA are available as shown in [Table 7](#). Programs can be downloaded to the processor using DMA transfers. Other DMA features include interrupt generation upon completion of DMA transfers, and DMA chaining for automatic linked DMA transfers.

## Delay Line DMA

Delay line DMA allows processor reads and writes to external delay line buffers (and hence to external memory) with limited core interaction.

## Scatter/Gather DMA

Scatter/gather DMA allows DMA reads/writes to/from non-contiguous memory blocks.

**Table 7. DMA Channels**

Peripheral	DMA Channels
SPORTs	16
IDP/PDAP	8
SPI	2
UART	2
External Port	2
Link Port	2
Accelerators	2
Memory-to-Memory	2
MLB <sup>1</sup>	31

<sup>1</sup>Automotive models only.

## IIR Accelerator

The IIR (infinite impulse response) accelerator consists of a 1440 word coefficient memory for storage of biquad coefficients, a data memory for storing the intermediate data, and one MAC unit. A controller manages the accelerator. The IIR accelerator runs at the peripheral clock frequency.

## FFT Accelerator

FFT accelerator implements radix-2 complex/real input, complex output FFT with no core intervention. The FFT accelerator runs at the peripheral clock frequency.

## FIR Accelerator

The FIR (finite impulse response) accelerator consists of a 1024 word coefficient memory, a 1024 word deep delay line for the data, and four MAC units. A controller manages the accelerator. The FIR accelerator runs at the peripheral clock frequency.

## SYSTEM DESIGN

The following sections provide an introduction to system design options and power supply issues.

### Program Booting

The internal memory boots at system power-up from an 8-bit EPROM via the external port, link port, an SPI master, or an SPI slave. Booting is determined by the boot configuration (BOOTCFG2-0) pins in [Table 8](#).

**Table 8. Boot Mode Selection**

BOOTCFG2-0	Booting Mode
000	SPI Slave Boot
001	SPI Master Boot
010	AMI Boot (for 8-bit Flash boot)
011	No boot occurs, processor executes from internal ROM after reset
100	Link Port 0 Boot
101	Reserved

The running reset feature allows programs to perform a reset of the processor core and peripherals, without resetting the PLL and DDR2 DRAM controller or performing a boot. The function of the  $\overline{\text{RESETOUT}}$  pin also acts as the input for initiating a running reset. For more information, see the *ADSP-214xx SHARC Processor Hardware Reference*.

### Power Supplies

The processors have separate power supply connections for the internal ( $V_{DD\_INT}$ ), external ( $V_{DD\_EXT}$ ), and analog ( $V_{DD\_A}$ ) power supplies. The internal and analog supplies must meet the  $V_{DD\_INT}$  specifications. The external supply must meet the  $V_{DD\_EXT}$  specification. All external supply pins must be connected to the same power supply.

Note that the analog power supply pin ( $V_{DD\_A}$ ) powers the processor's internal clock generator PLL. To produce a stable clock, it is recommended that PCB designs use an external filter circuit for the  $V_{DD\_A}$  pin. Place the filter components as close as possible to the  $V_{DD\_A}/\text{AGND}$  pins. For an example circuit, see [Figure 3](#). (A recommended ferrite chip is the muRata BLM18AG102SN1D).

To reduce noise coupling, the PCB should use a parallel pair of power and ground planes for  $V_{DD\_INT}$  and GND. Use wide traces to connect the bypass capacitors to the analog power ( $V_{DD\_A}$ ) and ground (AGND) pins. Note that the  $V_{DD\_A}$  and AGND pins specified in [Figure 3](#) are inputs to the processor and not the analog ground plane on the board—the AGND pin should connect directly to digital ground (GND) at the chip.

### Target Board JTAG Emulator Connector

Analog Devices DSP Tools product line of JTAG emulators uses the IEEE 1149.1 JTAG test access port of the processor to monitor and control the target board processor during emulation. Analog Devices DSP Tools product line of JTAG emulators provides emulation at full processor speed, allowing inspection and

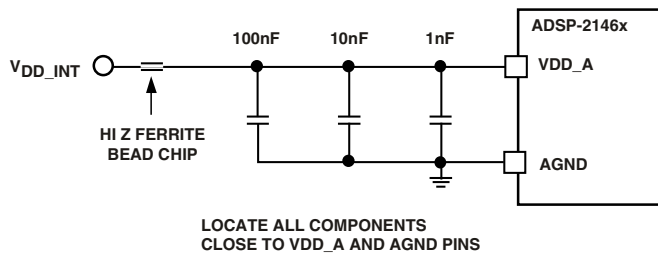


Figure 3. Analog Power ( $V_{DD\_A}$ ) Filter Circuit

modification of memory, registers, and processor stacks. The processor's JTAG interface ensures that the emulator will not affect target system loading or timing.

For complete information on Analog Devices' SHARC DSP Tools product line of JTAG emulator operation, see the appropriate Emulator Hardware User's Guide.

## DEVELOPMENT TOOLS

The processors are supported with a complete set of CROSS-CORE<sup>®</sup> software and hardware development tools, including Analog Devices emulators and VisualDSP++<sup>®</sup> development environment. The same emulator hardware that supports other SHARC processors also fully emulates the ADSP-21467/ADSP-21469 processors.

### EZ-KIT Lite Evaluation Board

For evaluation of the processors, use the EZ-KIT Lite<sup>®</sup> board being developed by Analog Devices. The board comes with on-chip emulation capabilities and is equipped to enable software development. Multiple daughter cards are available.

### Designing an Emulator-Compatible DSP Board (Target)

The Analog Devices family of emulators are tools that every DSP developer needs to test and debug hardware and software systems. Analog Devices has supplied an IEEE 1149.1 JTAG Test Access Port (TAP) on each JTAG DSP. Nonintrusive in-circuit emulation is assured by the use of the processor's JTAG interface—the emulator does not affect target system loading or timing. The emulator uses the TAP to access the internal features of the processor, allowing the developer to load code, set breakpoints, observe variables, observe memory, and examine registers. The processor must be halted to send data and commands, but once an operation has been completed by the emulator, the DSP system is set running at full speed with no impact on system timing.

To use these emulators, the target board must include a header that connects the DSP's JTAG port to the emulator.

For details on target board design issues including mechanical layout, single processor connections, signal buffering, signal termination, and emulator pod logic, see the *EE-68: Analog Devices JTAG Emulation Technical Reference* on the Analog Devices website ([www.analog.com](http://www.analog.com))—use site search on “EE-68.” This document is updated regularly to keep pace with improvements to emulator support.

## Evaluation Kit

Analog Devices offers a range of EZ-KIT Lite evaluation platforms to use as a cost effective method to learn more about developing or prototyping applications with Analog Devices processors, platforms, and software tools. Each EZ-KIT Lite includes an evaluation board along with an evaluation suite of the VisualDSP++ development and debugging environment with the C/C++ compiler, assembler, and linker. Also included are sample application programs, power supply, and a USB cable. All evaluation versions of the software tools are limited for use only with the EZ-KIT Lite product.

The USB controller on the EZ-KIT Lite board connects the board to the USB port of the user's PC, enabling the VisualDSP++ evaluation suite to emulate the on-board processor in-circuit. This permits the customer to download, execute, and debug programs for the EZ-KIT Lite system. It also allows in-circuit programming of the on-board Flash device to store user-specific boot code, enabling the board to run as a stand-alone unit without being connected to the PC.

With a full version of VisualDSP++ installed (sold separately), engineers can develop software for the EZ-KIT Lite or any custom defined system. Connecting one of Analog Devices JTAG emulators to the EZ-KIT Lite board enables high speed, non-intrusive emulation.

## ADDITIONAL INFORMATION

This data sheet provides a general overview of the ADSP-21467/ADSP-21469 architecture and functionality. For detailed information on the core architecture and instruction set, refer to the *SHARC Processor Programming Reference*.

## RELATED SIGNAL CHAINS

A *signal chain* is a series of signal-conditioning electronic components that receive input (data acquired from sampling either real-time phenomena or from stored data) in tandem, with the output of one portion of the chain supplying input to the next. Signal chains are often used in signal processing applications to gather and process data or to apply system controls based on analysis of real-time phenomena. For more information about this term and related topics, see the “signal chain” entry in [Wikipedia](http://en.wikipedia.org) or the [Glossary of EE Terms](http://www.analog.com/glossary) on the Analog Devices website.

Analog Devices eases signal processing system development by providing signal processing components that are designed to work together well. A tool for viewing relationships between specific applications and related components is available on the [www.analog.com](http://www.analog.com) website.

The Application Signal Chains page in the Circuits from the Lab<sup>™</sup> site ([http://www.analog.com/signal\\_chains](http://www.analog.com/signal_chains)) provides:

- Graphical circuit block diagram presentation of signal chains for a variety of circuit types and applications
- Drill down links for components in each chain to selection guides and application information
- Reference designs applying best practice design techniques

# ADSP-21467/ADSP-21469

## PIN FUNCTION DESCRIPTIONS

Use the termination descriptions in [Table 9](#) when not using the DDR2 or MLB interfaces.

**Warning:** System designs must comply with these termination rules to avoid causing issues of quality, reliability, and power leakage at these pins.

**Table 9. Unused Pin Terminations**

Pin Name	Unused Termination
DDR2_CKE, DDR2_CS, DDR2_DM, DDR2_DQSx, DDR2_DQSx, DDR2_RAS, DDR2_CAS, DDR2_WE, DDR2_CLKx, DDR2_CLKx DDR2_ADDR, DDR2_BA, DDR2_DATA	Leave floating. Internally three-state by setting the DIS_DDRCTL bit of the DDR2CTL0 register
V <sub>DD_DDR2</sub> <sup>1</sup>	Connect to the V <sub>DD_INT</sub> supply
V <sub>REF</sub>	Leave floating/unconnected
MLBCLK, MLBDAT, MLBSIG, MLBDO, MLBSO	Available on automotive models only. In standard products using silicon revision 0.2 and above connect to ground (GND). In standard products using silicon revisions previous to revision 0.2, leave these pins floating if unused.

<sup>1</sup>When the DDR2 controller is not used power down the receive path by setting the PWD bits of the DDR2PADCTLx register.

**Table 10. Pin Descriptions**

Name	Type	State During/ After Reset	Description
AMI_ADDR <sub>23-0</sub>	I/O/T (ipu)	High-Z/ driven low (boot)	<b>External Address.</b> The processor outputs addresses for external memory and peripherals on these pins. The data pins can be multiplexed to support the PDAP (I) and PWM (O). After reset, all AMI_ADDR <sub>23-0</sub> pins are in external memory interface mode and FLAG(0-3) pins are in FLAGS mode (default). When configured in the IDP_PDAP_CTL register, IDP channel 0 scans the AMI_ADDR <sub>23-0</sub> pins for parallel input data. Unused AMI pins can be left unconnected.
AMI_DATA <sub>7-0</sub>	I/O/T (ipu)	High-Z	<b>External Data.</b> The data pins can be multiplexed to support the external memory interface data (I/O), the PDAP (I), FLAGS (I/O) and PWM (O). After reset, all AMI_DATA pins are in EMIF mode and FLAG(0-3) pins are in FLAGS mode (default). Unused AMI pins can be left unconnected.
AMI_ACK	I (ipu)		<b>Memory Acknowledge (AMI_ACK).</b> External devices can deassert AMI_ACK (low) to add wait states to an external memory access. AMI_ACK is used by I/O devices, memory controllers, or other peripherals to hold off completion of an external memory access. Unused AMI pins can be left unconnected.
$\overline{\text{AMI\_MS}}_{0-1}$	O/T (ipu)	High-Z	<b>Memory Select Lines 0-1.</b> These lines are asserted (low) as chip selects for the corresponding banks of external memory on the AMI interface. The $\overline{\text{MS}}_{1-0}$ lines are decoded memory address lines that change at the same time as the other address lines. When no external memory access is occurring the $\overline{\text{MS}}_{1-0}$ lines are inactive; they are active however when a conditional memory access instruction is executed, whether or not the condition is true. Unused AMI pins can be left unconnected. The $\overline{\text{MS}}_1$ pin can be used in EPORT/FLASH boot mode. For more information, see the ADSP-214xx SHARC Processor Hardware Reference.
$\overline{\text{AMI\_RD}}$	O/T (ipu)	High-Z	<b>AMI Port Read Enable.</b> $\overline{\text{AMI\_RD}}$ is asserted whenever the processor reads a word from external memory.
$\overline{\text{AMI\_WR}}$	O/T (ipu)	High-Z	<b>External Port Write Enable.</b> $\overline{\text{AMI\_WR}}$ is asserted when the processor writes a word to external memory.
FLAG[0]/ $\overline{\text{IRQ0}}$	I/O (ipu)	FLAG[0] INPUT	<b>FLAG0/Interrupt Request0.</b>
FLAG[1]/ $\overline{\text{IRQ1}}$	I/O (ipu)	FLAG[1] INPUT	<b>FLAG1/Interrupt Request1.</b>
FLAG[2]/ $\overline{\text{IRQ2}}$ / $\overline{\text{AMI\_MS2}}$	I/O (ipu)	FLAG[2] INPUT	<b>FLAG2/Interrupt Request2/Async Memory Select2.</b>
FLAG[3]/ $\overline{\text{TMREXP}}$ / $\overline{\text{AMI\_MS3}}$	I/O (ipu)	FLAG[3] INPUT	<b>FLAG3/Timer Expired/Async Memory Select3.</b>

The following symbols appear in the Type column of Table 10: **A** = asynchronous, **I** = input, **O** = output, **S** = synchronous, **A/D** = active drive, **O/D** = open-drain, and **T** = three-state, **ipd** = internal pull-down resistor, **ipu** = internal pull-up resistor. The internal pull-up (ipu) and internal pull-down (ipd) resistors are designed to hold the internal path from the pins at the expected logic levels. To pull-up or pull-down the external pads to the expected logic levels, use external resistors. Internal pull-up/pull-down resistors cannot be enabled/disabled and the value of these resistors cannot be programmed. The range of an ipu resistor can be between 26 k $\Omega$ –63 k $\Omega$ . The range of an ipd resistor can be between 31 k $\Omega$ –85 k $\Omega$ . The three-state voltage of ipu pads will not reach to full the V<sub>DD\_EXT</sub> level; at typical conditions the voltage is in the range of 2.3 V to 2.7 V. In this table, the DDR2 pins are SSTL18 compliant. All other pins are LVTTTL compliant.

# ADSP-21467/ADSP-21469

Table 10. Pin Descriptions (Continued)

Name	Type	State During/ After Reset	Description
DDR2_ADDR <sub>15-0</sub>	O/T	High-Z/ driven low	<b>DDR2 Address.</b> DDR2 address pins.
DDR2_BA <sub>2-0</sub>	O/T	High-Z/ driven low	<b>DDR2 Bank Address Input.</b> Defines which internal bank an ACTIVATE, READ, WRITE, or PRECHARGE command is being applied to. BA <sub>2-0</sub> define which mode registers, including MR, EMR, EMR(2), and EMR(3) are loaded during the LOAD MODE REGISTER command.
$\overline{\text{DDR2\_CAS}}$	O/T	High-Z/ driven high	<b>DDR2 Column Address Strobe.</b> Connect to $\overline{\text{DDR2\_CAS}}$ pin; in conjunction with other DDR2 command pins, defines the operation for the DDR2 to perform.
DDR2_CKE	O/T	High-Z/ driven low	<b>DDR2 Clock Enable Output to DDR2.</b> Active high signal. Connect to DDR2 CKE signal.
$\overline{\text{DDR2\_CS}}_{3-0}$	O/T	High-Z/ driven high	<b>DDR2 Chip Select.</b> All commands are masked when $\overline{\text{DDR2\_CS}}_{3-0}$ is driven high. $\overline{\text{DDR2\_CS}}_{3-0}$ are decoded memory address lines. Each $\overline{\text{DDR2\_CS}}_{3-0}$ line selects the corresponding external bank.
DDR2_DATA <sub>15-0</sub>	I/O/T	High-Z	<b>DDR2 Data In/Out.</b> Connect to corresponding DDR2_DATA pins.
DDR2_DM <sub>1-0</sub>	O/T	High-Z/ driven high	<b>DDR2 Input Data Mask.</b> Mask for the DDR2 write data if driven high. Sampled on both edges of DDR2_DQS at DDR2 side. DM0 corresponds to DDR2_DATA 7–0 and DM1 corresponds to DDR2_DATA 15–8.
DDR2_DQS <sub>1-0</sub> $\overline{\text{DDR2\_DQS}}_{1-0}$	I/O/T (Differential)	High-Z	<b>Data Strobe.</b> Output with Write Data. Input with Read Data. DQS0 corresponds to DDR2_DATA 7–0 and DQS1 corresponds to DDR2_DATA 15–8. Based on software control via the DDR2CTL3 register, this pin can be single-ended or differential.
$\overline{\text{DDR2\_RAS}}$	O/T	High-Z/ driven high	<b>DDR2 Row Address Strobe.</b> Connect to $\overline{\text{DDR2\_RAS}}$ pin; in conjunction with other DDR2 command pins, defines the operation for the DDR2 to perform.
$\overline{\text{DDR2\_WE}}$	O/T	High-Z/ driven high	<b>DDR2 Write Enable.</b> Connect to $\overline{\text{DDR2\_WE}}$ pin; in conjunction with other DDR2 command pins, defines the operation for the DDR2 to perform.
DDR2_CLK0, $\overline{\text{DDR2\_CLK}}_0$ , DDR2_CLK1, $\overline{\text{DDR2\_CLK}}_1$	O/T (Differential)	High-Z/ driven low	<b>DDR2 Memory Clocks.</b> Two differential outputs available via software control (DDR2CTL0 register). Free running, minimum frequency not guaranteed during reset.
DDR2_ODT	O/T	High-Z/ driven low	<b>DDR2 On Die Termination.</b> ODT pin when driven high (along with other requirements) enables the DDR2 termination resistances. ODT is enabled/disabled regardless of read or write commands.

The following symbols appear in the Type column of Table 10: **A** = asynchronous, **I** = input, **O** = output, **S** = synchronous, **A/D** = active drive, **O/D** = open-drain, and **T** = three-state, **ipd** = internal pull-down resistor, **ipu** = internal pull-up resistor.

The internal pull-up (ipu) and internal pull-down (ipd) resistors are designed to hold the internal path from the pins at the expected logic levels. To pull-up or pull-down the external pads to the expected logic levels, use external resistors. Internal pull-up/pull-down resistors cannot be enabled/disabled and the value of these resistors cannot be programmed. The range of an ipu resistor can be between 26 k $\Omega$ –63 k $\Omega$ . The range of an ipd resistor can be between 31 k $\Omega$ –85 k $\Omega$ . The three-state voltage of ipu pads will not reach to full the V<sub>DD\_EXT</sub> level; at typical conditions the voltage is in the range of 2.3 V to 2.7 V.

In this table, the DDR2 pins are SSTL18 compliant. All other pins are LVTTTL compliant.

**Table 10. Pin Descriptions (Continued)**

Name	Type	State During/ After Reset	Description
DAI_P20-1	I/O/T (ipu)	High-Z	<b>Digital Applications Interface.</b> These pins provide the physical interface to the DAI SRU. The DAI SRU configuration registers define the combination of on-chip audio-centric peripheral inputs or outputs connected to the pin and to the pin's output enable. The configuration registers of these peripherals then determine the exact behavior of the pin. Any input or output signal present in the DAI SRU may be routed to any of these pins. The DAI SRU provides the connection from the serial ports, the S/PDIF module, input data ports (2), and the precision clock generators (4), to the DAI_P20-1 pins.
DPI_P14-1	I/O/T (ipu)	High-Z	<b>Digital Peripheral Interface.</b> These pins provide the physical interface to the DPI SRU. The DPI SRU configuration registers define the combination of on-chip peripheral inputs or outputs connected to the pin and to the pin's output enable. The configuration registers of these peripherals then determines the exact behavior of the pin. Any input or output signal present in the DPI SRU may be routed to any of these pins. The DPI SRU provides the connection from the timers (2), SPIs (2), UART (1), flags (12), and general-purpose I/O (9) to the DPI_P14-1 pins.
LDAT07-0 LDAT17-0	I/O/T (ipd)	High-Z	<b>Link Port Data (Link Ports 0-1).</b> When configured as a transmitter, the port drives both the data lines.
LCLK0 LCLK1	I/O/T (ipd)	High-Z	<b>Link Port Clock (Link Ports 0-1).</b> Allows asynchronous data transfers. When configured as a transmitter, the port drives LCLKx lines. An external 25 kΩ pull-down resistor is required for the proper operation of this pin.
LACK0 LACK1	I/O/T (ipd)	High-Z	<b>Link Port Acknowledge (Link Port 0-1).</b> Provides handshaking. When the link ports are configured as a receiver, the port drives the LACKx line. An external 25 kΩ pull-down resistor is required for the proper operation of this pin.
THD_P	I		<b>Thermal Diode Anode.</b> If unused, can be left floating.
THD_M	O		<b>Thermal Diode Cathode.</b> If unused, can be left floating.
MLBCLK	I		<b>Media Local Bus Clock.</b> This clock is generated by the MLB controller that is synchronized to the MOST network and provides the timing for the entire MLB interface. 49.152 MHz at FS = 48 kHz. If unused, connect to ground (see Table 9 on Page 12).
MLBDAT	I/O/T in 3 pin mode. I/T in 5 pin mode.	High-Z	<b>Media Local Bus Data.</b> The MLBDAT line is driven by the transmitting MLB device and is received by all other MLB devices including the MLB controller. The MLBDAT line carries the actual data. In 5-pin MLB mode, this pin is an input only. If unused, connect to ground (see Table 9 on Page 12).
MLBSIG	I/O/T in 3 pin mode. I/T in 5 pin mode.	High-Z	<b>Media Local Bus Signal.</b> This is a multiplexed signal which carries the channel/address generated by the MLB controller, as well as the command and RxStatus bytes from MLB devices. In 5-pin mode, this pin is an input only. If unused, connect to ground (see Table 9 on Page 12).
MLBDO	O/T	High-Z	<b>Media Local Bus Data Output (in 5 pin mode).</b> This pin is used only in 5-pin MLB mode. This serves as the output data pin in 5-pin mode. If unused, connect to ground (see Table 9 on Page 12).
MLBSO	O/T	High-Z	<b>Media Local Bus Signal Output (in 5 pin mode).</b> This pin is used only in 5-pin MLB mode and serves as the output signal pin in 5-pin mode. If unused, connect to ground (see Table 9 on Page 12).

The following symbols appear in the Type column of Table 10: **A** = asynchronous, **I** = input, **O** = output, **S** = synchronous, **A/D** = active drive, **O/D** = open-drain, and **T** = three-state, **ipd** = internal pull-down resistor, **ipu** = internal pull-up resistor. The internal pull-up (ipu) and internal pull-down (ipd) resistors are designed to hold the internal path from the pins at the expected logic levels. To pull-up or pull-down the external pads to the expected logic levels, use external resistors. Internal pull-up/pull-down resistors cannot be enabled/disabled and the value of these resistors cannot be programmed. The range of an ipu resistor can be between 26 kΩ–63 kΩ. The range of an ipd resistor can be between 31 kΩ–85 kΩ. The three-state voltage of ipu pads will not reach to full the V<sub>DD\_EXT</sub> level; at typical conditions the voltage is in the range of 2.3 V to 2.7 V. In this table, the DDR2 pins are SSTL18 compliant. All other pins are LVTTTL compliant.

# ADSP-21467/ADSP-21469

Table 10. Pin Descriptions (Continued)

Name	Type	State During/ After Reset	Description
$\overline{BR}_{2-1}$	I/P (ipu)	$\overline{BR}_1$ = driven low by the processor with (ID1=0, ID0=1) $\overline{BR}_2$ = driven high by the processor with (ID1=1, ID0=0) $\overline{BR}_{2-1}$ = High-Z if ID pins are at zero	<b>Bus request.</b> Used by the processor to arbitrate for bus mastership. A processor only drives its own $\overline{BR}_x$ line (corresponding to the value of its ID1–0 inputs) and monitors all others. The processor's own $\overline{BR}_x$ line must not be tied high or low because it is an output.
ID <sub>1-0</sub>	I		<b>Chip ID.</b> Determines which bus request ( $\overline{BR}_{2-1}$ ) is used by the processor. ID = 001 corresponds to $\overline{BR}_1$ and ID = 010 corresponds to $\overline{BR}_2$ . Use ID = 000 or 001 in single-processor systems. These lines are a system configuration selection that should be hardwired or only changed at reset. ID = 101, 110, and 111 are reserved.
TDI	I (ipu)	High-Z	<b>Test Data Input (JTAG).</b> Provides serial data for the boundary scan logic.
TDO	O /T		<b>Test Data Output (JTAG).</b> Serial scan output of the boundary scan path.
TMS	I (ipu)		<b>Test Mode Select (JTAG).</b> Used to control the test state machine.
TCK	I		<b>Test Clock (JTAG).</b> Provides a clock for JTAG boundary scan. The TCK signal must be asserted (pulsed low) after power-up or held low for proper operation of the device.
$\overline{TRST}$	I (ipu)		<b>Test Reset (JTAG).</b> Resets the test state machine. The $\overline{TRST}$ signal must be asserted (pulsed low) after power-up or held low for proper operation of the processor.
$\overline{EMU}$	O/D (ipu)		<b>Emulation Status.</b> Must be connected to the ADSP-21467/ADSP-21469 Analog Devices DSP Tools product line of JTAG emulators target board connector only.
CLK_CFG <sub>1-0</sub>	I		<b>Core to CLKIN Ratio Control.</b> These pins set the start up clock frequency. Note that the operating frequency can be changed by programming the PLL multiplier and divider in the PMCTL register at any time after the core comes out of reset. The allowed values are: 00 = 6:1 01 = 32:1 10 = 16:1 11 = reserved
CLKIN	I		<b>Local Clock In.</b> Used in conjunction with XTAL. CLKIN is the clock input. It configures the processor to use either its internal clock generator or an external clock source. Connecting the necessary components to CLKIN and XTAL enables the internal clock generator. Connecting the external clock to CLKIN while leaving XTAL unconnected configures the processor to use the external clock source such as an external clock oscillator. CLKIN may not be halted, changed, or operated below the specified frequency.
XTAL	O		<b>Crystal Oscillator Terminal.</b> Used in conjunction with CLKIN to drive an external crystal.

The following symbols appear in the Type column of Table 10: **A** = asynchronous, **I** = input, **O** = output, **S** = synchronous, **A/D** = active drive, **O/D** = open-drain, and **T** = three-state, **ipd** = internal pull-down resistor, **ipu** = internal pull-up resistor.

The internal pull-up (ipu) and internal pull-down (ipd) resistors are designed to hold the internal path from the pins at the expected logic levels. To pull-up or pull-down the external pads to the expected logic levels, use external resistors. Internal pull-up/pull-down resistors cannot be enabled/disabled and the value of these resistors cannot be programmed. The range of an ipu resistor can be between 26 k $\Omega$ –63 k $\Omega$ . The range of an ipd resistor can be between 31 k $\Omega$ –85 k $\Omega$ . The three-state voltage of ipu pads will not reach to full the  $V_{DD\_EXT}$  level; at typical conditions the voltage is in the range of 2.3 V to 2.7 V.

In this table, the DDR2 pins are SSTL18 compliant. All other pins are LVTTTL compliant.



**Table 10. Pin Descriptions (Continued)**

Name	Type	State During/ After Reset	Description
$\overline{\text{RESET}}$	I		<b>Processor Reset.</b> Resets the processor to a known state. Upon deassertion, there is a 4096 CLKIN cycle latency for the PLL to lock. After this time, the core begins program execution from the hardware reset vector address. The $\overline{\text{RESET}}$ input must be asserted (low) at power-up.
$\overline{\text{RESETOUT/}}/$ RUNRSTIN	I/O (ipu)		<b>Reset Out/Running Reset In.</b> The default setting on this pin is reset out. This pin also has a second function as RUNRSTIN which is enabled by setting bit 0 of the RUNRSTCTL register. For more information, see the <i>ADSP-214xx SHARC Processor Hardware Reference</i> .
BOOT_CFG <sub>2-0</sub>	I		<b>Boot Configuration Select.</b> These pins select the boot mode for the processor. The BOOT_CFG pins must be valid before $\overline{\text{RESET}}$ (hardware and software) is de-asserted.

The following symbols appear in the Type column of [Table 10](#): **A** = asynchronous, **I** = input, **O** = output, **S** = synchronous, **A/D** = active drive, **O/D** = open-drain, and **T** = three-state, **ipd** = internal pull-down resistor, **ipu** = internal pull-up resistor. The internal pull-up (ipu) and internal pull-down (ipd) resistors are designed to hold the internal path from the pins at the expected logic levels. To pull-up or pull-down the external pads to the expected logic levels, use external resistors. Internal pull-up/pull-down resistors cannot be enabled/disabled and the value of these resistors cannot be programmed. The range of an ipu resistor can be between 26 k $\Omega$ –63 k $\Omega$ . The range of an ipd resistor can be between 31 k $\Omega$ –85 k $\Omega$ . The three-state voltage of ipu pads will not reach to full the V<sub>DD\_EXT</sub> level; at typical conditions the voltage is in the range of 2.3 V to 2.7 V. In this table, the DDR2 pins are SSTL18 compliant. All other pins are LVTTTL compliant.

**Table 11. Pin List, Power and Ground**

Name	Type	Description
V <sub>DD_INT</sub>	P	Internal Power
V <sub>DD_EXT</sub>	P	External Power
V <sub>DD_A</sub>	P	Analog Power for PLL
V <sub>DD_THD</sub>	P	Thermal Diode Power
V <sub>DD_DDR2</sub> <sup>1</sup>	P	DDR2 Interface Power
V <sub>REF</sub>	P	DDR2 Input Voltage Reference
GND	G	Ground
AGND	G	Analog Ground

<sup>1</sup>Applies to DDR2 signals.

# ADSP-21467/ADSP-21469

## SPECIFICATIONS

### OPERATING CONDITIONS

Parameter <sup>1</sup>	Description	450 MHz			400 MHz			Unit
		Min	Nom	Max	Min	Nom	Max	
V <sub>DD_INT</sub>	Internal (Core) Supply Voltage	1.05	1.1	1.15	1.0	1.05	1.1	V
V <sub>DD_EXT</sub>	External (I/O) Supply Voltage	3.13	3.3	3.47	3.13	3.3	3.47	V
V <sub>DD_A</sub> <sup>2</sup>	Analog Power Supply Voltage	1.05	1.1	1.15	1.0	1.05	1.1	V
V <sub>DD_DDR2</sub> <sup>3,4</sup>	DDR2 Controller Supply Voltage	1.7	1.8	1.9	1.7	1.8	1.9	V
V <sub>DD_THD</sub>	Thermal Diode Supply Voltage	3.13	3.3	3.47	3.13	3.3	3.47	V
V <sub>REF</sub>	DDR2 Reference Voltage	0.84	0.9	0.96	0.84	0.9	0.96	V
V <sub>IH</sub> <sup>5</sup>	High Level Input Voltage @ V <sub>DD_EXT</sub> = Max	2.0			2.0			V
V <sub>IL</sub> <sup>5</sup>	Low Level Input Voltage @ V <sub>DD_EXT</sub> = Min			0.8			0.8	V
V <sub>IH_CLKIN</sub> <sup>6</sup>	High Level Input Voltage @ V <sub>DD_EXT</sub> = Max	2.0			2.0			V
V <sub>IL_CLKIN</sub> <sup>6</sup>	Low Level Input Voltage @ V <sub>DD_EXT</sub> = Min			1.32			1.32	V
V <sub>IL_DDR2</sub> (DC)	DC Low Level Input Voltage			V <sub>REF</sub> - 0.125			V <sub>REF</sub> - 0.125	V
V <sub>IH_DDR2</sub> (DC)	DC High Level Input Voltage	V <sub>REF</sub> + 0.125			V <sub>REF</sub> + 0.125			V
V <sub>IL_DDR2</sub> (AC)	AC Low Level Input Voltage			V <sub>REF</sub> - 0.25			V <sub>REF</sub> - 0.25	V
V <sub>IH_DDR2</sub> (AC)	AC High Level Input Voltage	V <sub>REF</sub> + 0.25			V <sub>REF</sub> + 0.25			V
T <sub>J</sub>	Junction Temperature 324-Lead CSP_BGA @ T <sub>AMBIENT</sub> 0°C to +70°C	0		115	0		110	°C
T <sub>J</sub>	Junction Temperature 324-Lead CSP_BGA @ T <sub>AMBIENT</sub> -40°C to +85°C	N/A		N/A	-40		125	°C

<sup>1</sup> Specifications subject to change without notice.

<sup>2</sup> See Figure 3 on Page 11 for an example filter circuit.

<sup>3</sup> Applies to DDR2 signals.

<sup>4</sup> If unused, see Table 9 on Page 12.

<sup>5</sup> Applies to input and bidirectional pins: AMI\_ADDR23-0, AMI\_DATA7-0, FLAG3-0, DAI\_Px, DPI\_Px, BOOTCFGx, CLKCFGx, (RUNRSTIN), RESET, TCK, TMS, TDI, TRST.

<sup>6</sup> Applies to input pin CLKIN.

## ELECTRICAL CHARACTERISTICS

Parameter <sup>1</sup>	Description	Test Conditions	450 MHz		400 MHz		Unit
			Min	Max	Min	Max	
V <sub>OH</sub> <sup>2</sup>	High Level Output Voltage	@ V <sub>DD_EXT</sub> = Min, I <sub>OH</sub> = -1.0 mA <sup>3</sup>	2.4		2.4		V
V <sub>OL</sub> <sup>2</sup>	Low Level Output Voltage	@ V <sub>DD_EXT</sub> = Min, I <sub>OL</sub> = 1.0 mA <sup>3</sup>		0.4		0.4	V
V <sub>OH_DDR2</sub>	High Level Output Voltage for DDR2	@ V <sub>DD_DDR</sub> = Min, I <sub>OH</sub> = -13.4 mA	1.4		1.4		V
V <sub>OL_DDR2</sub>	Low Level Output Voltage for DDR2	@ V <sub>DD_DDR</sub> = Min, I <sub>OL</sub> = 13.4 mA		0.29		0.29	V
I <sub>IH</sub> <sup>4,5</sup>	High Level Input Current	@ V <sub>DD_EXT</sub> = Max, V <sub>IN</sub> = V <sub>DD_EXT</sub> Max		10		10	μA
I <sub>IL</sub> <sup>4,6</sup>	Low Level Input Current	@ V <sub>DD_EXT</sub> = Max, V <sub>IN</sub> = 0 V		10		10	μA
I <sub>ILPU</sub> <sup>5</sup>	Low Level Input Current Pull-up	@ V <sub>DD_EXT</sub> = Max, V <sub>IN</sub> = 0 V		200		200	μA
I <sub>IHPD</sub> <sup>6</sup>	High Level Input Current Pull-down	@ V <sub>DD_EXT</sub> = Max, V <sub>IN</sub> = V <sub>DD_EXT</sub> Max		200		200	μA
I <sub>OZH</sub> <sup>7,8</sup>	Three-State Leakage Current	@ V <sub>DD_EXT</sub> /V <sub>DD_DDR</sub> = Max, V <sub>IN</sub> = V <sub>DD_EXT</sub> /V <sub>DD_DDR</sub> Max		10		10	μA
I <sub>OZL</sub> <sup>7,9</sup>	Three-State Leakage Current	@ V <sub>DD_EXT</sub> /V <sub>DD_DDR</sub> = Max, V <sub>IN</sub> = 0 V		10		10	μA
I <sub>OZLPU</sub> <sup>8</sup>	Three-State Leakage Current Pull-up	@ V <sub>DD_EXT</sub> = Max, V <sub>IN</sub> = 0 V		200		200	μA
I <sub>OZHPD</sub> <sup>9</sup>	Three-State Leakage Current Pull-down	@ V <sub>DD_EXT</sub> = Max, V <sub>IN</sub> = V <sub>DD_EXT</sub> Max		200		200	μA
I <sub>DD-INTYP</sub> <sup>10</sup>	Supply Current (Internal)	f <sub>CCLK</sub> > 0 MHz		Table 13 + Table 14 × ASF		Table 13 + Table 14 × ASF	mA
I <sub>DD_A</sub> <sup>11</sup>	Supply Current (Analog)	V <sub>DD_A</sub> = Max		10		10	mA
C <sub>IN</sub> <sup>12,13</sup>	Input Capacitance	T <sub>CASE</sub> = 25°C		5		5	pF

<sup>1</sup> Specifications subject to change without notice.

<sup>2</sup> Applies to output and bidirectional pins: AMI\_ADDR23-0, AMI\_DATA7-0, AMI\_RD, AMI\_WR, FLAG3-0, DAI\_Px, DPI\_Px, EMU, TDO.

<sup>3</sup> See [Output Drive Currents on Page 60](#) for typical drive current capabilities.

<sup>4</sup> Applies to input pins: BOOTCFGx, CLKCFGx, TCK, RESET, CLKIN.

<sup>5</sup> Applies to input pins with internal pull-ups: TRST, TMS, TDI.

<sup>6</sup> Applies to input pins with internal pull-downs: MLBCLK

<sup>7</sup> Applies to three-statable pins: all DDR2 pins.

<sup>8</sup> Applies to three-statable pins with pull-ups: DAI\_Px, DPI\_Px, EMU.

<sup>9</sup> Applies to three-statable pins with pull-downs: MLBDAT, MLBSIG, MLBDO, MLBSO, LDAT07-0, LDAT17-0, LCLK0, LCLK1, LACK0, LACK1.

<sup>10</sup> See Engineer-to-Engineer Note EE-348 "Estimating Power Dissipation for ADSP-2146x SHARC Processors" for further information.

<sup>11</sup> Characterized but not tested.

<sup>12</sup> Applies to all signal pins.

<sup>13</sup> Guaranteed, but not tested.

# ADSP-21467/ADSP-21469

## Total Power Dissipation

Total power dissipation has two components:

1. Internal power consumption
2. External power consumption

Internal power consumption also comprises two components:

1. Static, due to leakage current. Table 13 shows the static current consumption ( $I_{DD-STATIC}$ ) as a function of junction temperature ( $T_J$ ) and core voltage ( $V_{DD\_INT}$ ).
2. Dynamic ( $I_{DD-DYNAMIC}$ ), due to transistor switching characteristics and activity level of the processor. The activity level is reflected by the Activity Scaling Factor (ASF), which represents application code running on the processor core and having various levels of peripheral and external port activity (Table 12). Dynamic current consumption is calculated by scaling the specific application by the ASF and using baseline dynamic current consumption as a reference.

The ASF is combined with the CCLK frequency and  $V_{DD\_INT}$  dependent data in Table 14 to calculate this part. External power consumption is due to the switching activity of the external pins.

**Table 12. Activity Scaling Factors (ASF)<sup>1</sup>**

Activity	Scaling Factor (ASF)
Idle	0.38
Low	0.58
High	1.23
Peak	1.35
Peak-typical (50:50) <sup>2</sup>	0.87
Peak-typical (60:40)	0.94
Peak-typical (70:30)	1.00

<sup>1</sup> See *Estimating Power for SHARC Processors (EE-348)* for more information on the explanation of the power vectors specific to the ASF table.

<sup>2</sup> Ratio of continuous instruction loop (core) to DDR2 control code; reads:writes.

**Table 13.  $I_{DD-STATIC}$  (mA)**

$T_J$ (°C) <sup>1</sup>	$V_{DD\_INT}$ (V) <sup>1</sup>				
	0.95 V	1.0 V	1.05 V	1.10 V	1.15 V
-45	72	91	110	140	167
-35	79	99	119	149	181
-25	89	109	131	163	198
-15	101	122	145	182	220
-5	115	140	166	206	249
5	134	162	192	237	284
15	158	189	223	273	326
25	186	222	260	318	377
35	218	259	302	367	434
45	258	305	354	428	503
55	305	359	413	497	582
65	360	421	484	578	675
75	424	496	566	674	781
85	502	580	660	783	904
95	586	683	768	912	1048
105	692	794	896	1054	1212
115	806	921	1036	1220	1394
125	939	1070	1198	1404	1601

<sup>1</sup> Valid temperature and voltage ranges are model-specific. See [Operating Conditions on Page 18](#).

**Table 14. Baseline Dynamic Current in CCLK Domain (mA, with ASF = 1.0)<sup>1</sup>**

f <sub>CCLK</sub> (MHz) <sup>2</sup>	Voltage (V <sub>DD_INT</sub> ) <sup>2</sup>				
	0.95 V	1.0 V	1.05 V	1.10 V	1.15 V
100	78	82	86	91	98
150	115	121	130	136	142
200	150	159	169	177	188
250	186	197	208	219	231
300	222	236	249	261	276
350	259	275	288	304	319
400	293	309	328	344	361
450	N/A	N/A	366	385	406

<sup>1</sup>The values are not guaranteed as standalone maximum specifications. They must be combined with static current per the equations of [Electrical Characteristics on Page 19](#).

<sup>2</sup>Valid frequency and voltage ranges are model-specific. See [Operating Conditions on Page 18](#).

## ABSOLUTE MAXIMUM RATINGS

Stresses greater than those listed in [Table 15](#) may cause permanent damage to the device. These are stress ratings only; functional operation of the device at these or any other conditions greater than those indicated in the operational sections of this specification is not implied. Exposure to absolute maximum rating conditions for extended periods may affect device reliability.

**Table 15. Absolute Maximum Ratings**

Parameter	Rating
Internal (Core) Supply Voltage (V <sub>DD_INT</sub> )	-0.3 V to +1.32 V
Analog (PLL) Supply Voltage (V <sub>DD_A</sub> )	-0.3 V to +1.15 V
External (I/O) Supply Voltage (V <sub>DD_EXT</sub> )	-0.3 V to +3.6 V
Thermal Diode Supply Voltage (V <sub>DD_THD</sub> )	-0.3 V to +3.6 V
DDR2 Controller Supply Voltage (V <sub>DD_DDR2</sub> )	-0.3 V to +1.9 V
DDR2 Input Voltage	-0.3 V to +1.9 V
Input Voltage	-0.3 V to +3.6 V
Output Voltage Swing	-0.3 V to V <sub>DD_EXT</sub> +0.5 V
Storage Temperature Range	-65°C to +150°C
Junction Temperature While Biased	125°C

## PACKAGE INFORMATION

The information presented in [Figure 4](#) and [Table 16](#) provides details about the package branding for the processor. For a complete listing of product availability, see [Ordering Guide on Page 72](#).



*Figure 4. Typical Package Brand*

**Table 16. Package Brand Information<sup>1</sup>**

Brand Key	Field Description
t	Temperature Range
pp	Package Type
Z	RoHS Compliant Option
cc	See Ordering Guide
vvvvvv.x	Assembly Lot Code
n.n	Silicon Revision
#	RoHS Compliant Designation
yyww	Date Code

<sup>1</sup>Non-automotive only. For branding information specific to automotive products, contact Analog Devices, Inc.

## ESD SENSITIVITY



**ESD (electrostatic discharge) sensitive device.** Charged devices and circuit boards can discharge without detection. Although this product features patented or proprietary protection circuitry, damage may occur on devices subjected to high energy ESD. Therefore, proper ESD precautions should be taken to avoid performance degradation or loss of functionality.

## TIMING SPECIFICATIONS

Use the exact timing information given. Do not attempt to derive parameters from the addition or subtraction of others. While addition or subtraction would yield meaningful results for an individual device, the values given in this data sheet reflect statistical variations and worst cases. Consequently, it is not meaningful to add parameters to derive longer times. See [Figure 46 on Page 60](#) under [Test Conditions](#) for voltage reference levels.

In the following sections, *Switching Characteristics* specify how the processor changes its signals. Circuitry external to the processor must be designed for compatibility with these signal characteristics. Switching characteristics describe what the processor will do in a given circumstance. Use switching characteristics to ensure that any timing requirement of a device connected to the processor (such as memory) is satisfied.

In the following sections, *Timing Requirements* apply to signals that are controlled by circuitry external to the processor, such as the data input for a read operation. Timing requirements guarantee that the processor operates correctly with other devices.

### Core Clock Requirements

The processor's internal clock (a multiple of CLKIN) provides the clock signal for timing internal memory, processor core, and serial ports. During reset, program the ratio between the processor's internal clock frequency and external (CLKIN) clock frequency with the CLK\_CFG1-0 pins.

The processor's internal clock switches at higher frequencies than the system input clock (CLKIN). To generate the internal clock, the processor uses an internal phase-locked loop (PLL, see [Figure 5](#)). This PLL-based clocking minimizes the skew between the system clock (CLKIN) signal and the processor's internal clock.

### Voltage Controlled Oscillator (VCO)

In application designs, the PLL multiplier value should be selected in such a way that the VCO frequency never exceeds  $f_{VCO}$  specified in [Table 19](#).

- The product of CLKIN and PLLM must never exceed 1/2 of  $f_{VCO}(\text{max})$  in [Table 19](#) if the input divider is not enabled (INDIV = 0).
- The product of CLKIN and PLLM must never exceed  $f_{VCO}(\text{max})$  in [Table 19](#) if the input divider is enabled (INDIV = 1).

The VCO frequency is calculated as follows:

$$f_{VCO} = 2 \times PLLM \times f_{INPUT}$$

$$f_{CCLK} = (2 \times PLLM \times f_{INPUT}) \div (PLLD)$$

where:

$$f_{VCO} = \text{VCO output}$$

$PLLM$  = Multiplier value programmed in the PMCTL register. During reset, the PLLM value is derived from the ratio selected using the CLK\_CFG pins in hardware.

$PLLD$  = Divider value 2, 4, 8, or 16 based on the PLLD value programmed on the PMCTL register. During reset this value is 2.

$f_{INPUT}$  = input frequency to the PLL

$f_{INPUT}$  = CLKIN when the input divider is disabled, or

$f_{INPUT}$  = CLKIN  $\div$  2 when the input divider is enabled

Note the definitions of the clock periods that are a function of CLKIN and the appropriate ratio control shown in and [Table 17](#). All of the timing specifications for the peripherals are defined in relation to  $t_{PCLK}$ . See the peripheral specific section for each peripheral's timing information.

**Table 17. Clock Periods**

Timing Requirements	Description
$t_{CK}$	CLKIN Clock Period
$t_{CCLK}$	Processor Core Clock Period
$t_{PCLK}$	Peripheral Clock Period = $2 \times t_{CCLK}$

[Figure 5](#) shows core to CLKIN relationships with external oscillator or crystal. The shaded divider/multiplier blocks denote where clock ratios can be set through hardware or software using the power management control register (PMCTL). For more information, see the *ADSP-214xx SHARC Processor Hardware Reference*.

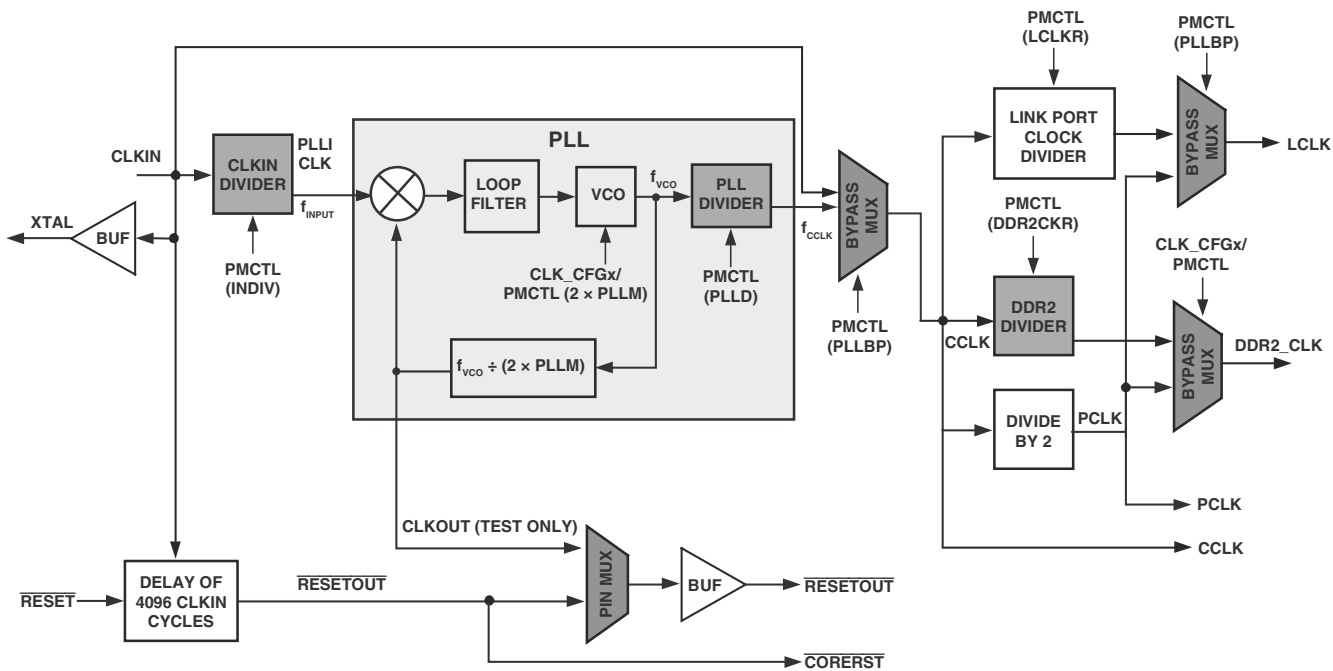


Figure 5. Core Clock and System Clock Relationship to CLKIN

# ADSP-21467/ADSP-21469

## Power-Up Sequencing

The timing requirements for processor startup are given in Table 18. While no specific power-up sequencing is required between  $V_{DD\_EXT}$ ,  $V_{DD\_DDR2}$ , and  $V_{DD\_INT}$ , there are some considerations that system designs should take into account.

- No power supply should be powered up for an extended period of time (> 200 ms) before another supply starts to ramp up.
- If  $V_{DD\_INT}$  power supply comes up after  $V_{DD\_EXT}$ , any pin, such as RESETOUT and RESET, may actually drive momentarily until the  $V_{DD\_INT}$  rail has powered up.

Systems sharing these signals on the board must determine if there are any issues that need to be addressed based on this behavior.

Note that during power-up, when the  $V_{DD\_INT}$  power supply comes up after  $V_{DD\_EXT}$ , a leakage current of the order of three-state leakage current pull-up, pull-down may be observed on any pin, even if that pin is an input only (for example the RESET pin) until the  $V_{DD\_INT}$  rail has powered up.

**Table 18. Power-Up Sequencing Timing Requirements (Processor Startup)**

Parameter		Min	Max	Unit
<i>Timing Requirements</i>				
$t_{RSTVDD}$	$\overline{RESET}$ Low Before $V_{DD\_INT}$ or $V_{DD\_EXT}$ or $V_{DD\_DDR2}$ On	0		ms
$t_{IVDD-EVDD}$	$V_{DD\_INT}$ On Before $V_{DD\_EXT}$	-200	+200	ms
$t_{EVDD\_DDR2VDD}$	$V_{DD\_EXT}$ On Before $V_{DD\_DDR2}$	-200	+200	ms
$t_{CLKVDD}^1$	CLKIN Valid After $V_{DD\_INT}$ or $V_{DD\_EXT}$ or $V_{DD\_DDR2}$ Valid	0	200	ms
$t_{CLKRST}$	CLKIN Valid Before $\overline{RESET}$ Deasserted	$10^2$		ms
$t_{PLLRST}$	PLL Control Setup Before $\overline{RESET}$ Deasserted	$20^3$		ms
<i>Switching Characteristic</i>				
$t_{CORERST}$	Core Reset Deasserted After $\overline{RESET}$ Deasserted	$4096 \times t_{CK} + 2 \times t_{CCLK}^{4,5}$		ms

<sup>1</sup> Valid  $V_{DD\_INT}$  assumes that the supply is fully ramped to its nominal value. Voltage ramp rates can vary from microseconds to hundreds of milliseconds depending on the design of the power supply subsystem.

<sup>2</sup> Assumes a stable CLKIN signal, after meeting worst-case startup timing of crystal oscillators. Refer to your crystal oscillator manufacturer's data sheet for startup time. Assume a 25 ms maximum oscillator startup time if using the XTAL pin and internal oscillator circuit in conjunction with an external crystal.

<sup>3</sup> Based on CLKIN cycles.

<sup>4</sup> Applies after the power-up sequence is complete. Subsequent resets require a minimum of four CLKIN cycles for  $\overline{RESET}$  to be held low in order to properly initialize and propagate default states at all I/O pins.

<sup>5</sup> The 4096 cycle count depends on  $t_{SRST}$  specification in Table 20. If setup time is not met, one additional CLKIN cycle may be added to the core reset time, resulting in 4097 cycles maximum.

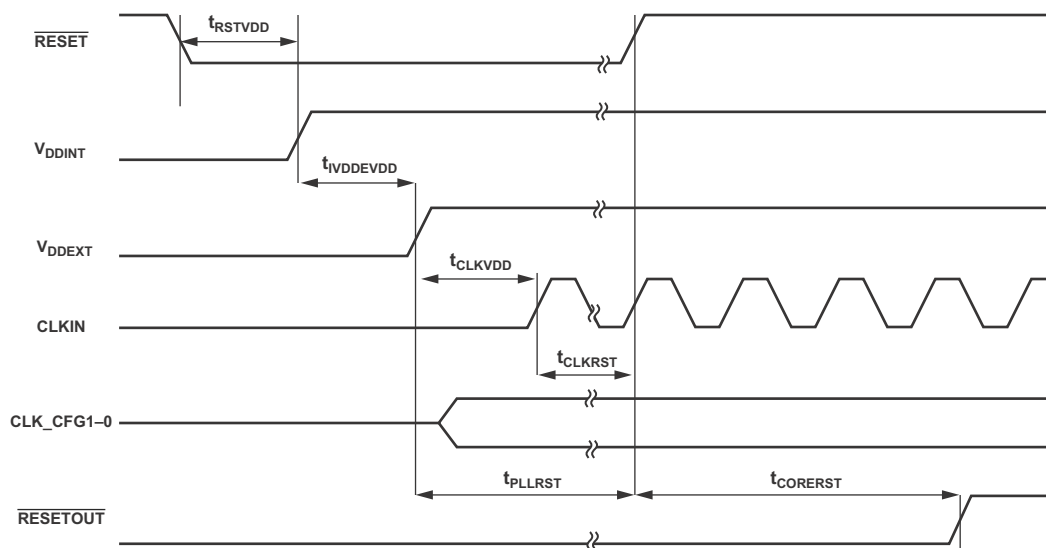


Figure 6. Power-Up Sequencing



## Clock Input

Table 19. Clock Input

Parameter	400 MHz <sup>1</sup>		450 MHz <sup>2</sup>		Unit	
	Min	Max	Min	Max		
<i>Timing Requirements</i>						
t <sub>CK</sub>	CLKIN Period	15 <sup>3</sup>	100	13.26	100	ns
t <sub>CKL</sub>	CLKIN Width Low	7.5	45	6.63	45	ns
t <sub>CKH</sub>	CLKIN Width High	7.5	45	6.63	45	ns
t <sub>CKRF</sub>	CLKIN Rise/Fall (0.4 V to 2.0 V)		3 <sup>4</sup>		3 <sup>4</sup>	ns
t <sub>CCLK</sub> <sup>5</sup>	CCLK Period	2.5	10	2.22	10	ns
f <sub>VCO</sub> <sup>6</sup>	VCO Frequency	200	900	200	900	MHz
t <sub>CKJ</sub> <sup>7,8</sup>	CLKIN Jitter Tolerance	-250	+250	-250	+250	ps

<sup>1</sup> Applies to all 400 MHz models. See [Ordering Guide on Page 72](#).

<sup>2</sup> Applies to all 450 MHz models. See [Ordering Guide on Page 72](#).

<sup>3</sup> Applies only for CLK\_CFG1-0 = 00 and default values for PLL control bits in PMCTL.

<sup>4</sup> Guaranteed by simulation but not tested on silicon.

<sup>5</sup> Any changes to PLL control bits in the PMCTL register must meet core clock timing specification t<sub>CCLK</sub>.

<sup>6</sup> See [Figure 5 on Page 23](#) for VCO diagram.

<sup>7</sup> Actual input jitter should be combined with ac specifications for accurate timing analysis.

<sup>8</sup> Jitter specification is maximum peak-to-peak time interval error (TIE) jitter.

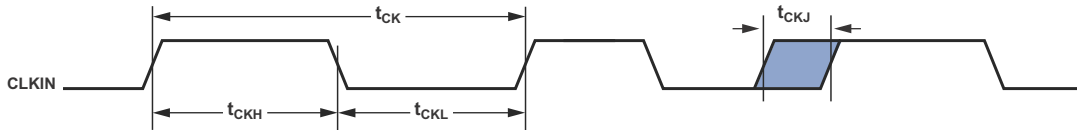
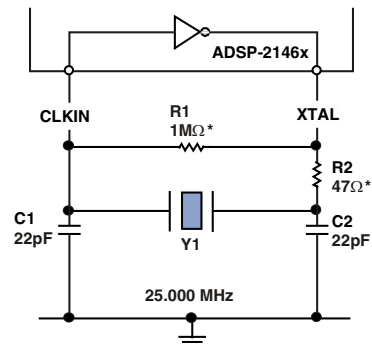


Figure 7. Clock Input

## Clock Signals

The processor can use an external clock or a crystal. See the CLKIN pin description in [Table 10](#). Programs can configure the processor to use its internal clock generator by connecting the necessary components to CLKIN and XTAL. [Figure 8](#) shows the component connections used for a crystal operating in fundamental mode. Note that the clock rate is achieved using a 25 MHz crystal and a PLL multiplier ratio 16:1 (CCLK:CLKIN achieves a clock speed of 400 MHz).

To achieve the full core clock rate, programs need to configure the multiplier bits in the PMCTL register.



\*TYPICAL VALUES

R2 SHOULD BE CHOSEN TO LIMIT CRYSTAL DRIVE POWER. REFER TO CRYSTAL MANUFACTURER'S SPECIFICATIONS

Figure 8. Recommended Circuit for Fundamental Mode Crystal Operation

# ADSP-21467/ADSP-21469

## Reset

Table 20. Reset

Parameter	Min	Max	Unit
<i>Timing Requirements</i>			
$t_{WRST}^1$ $\overline{RESET}$ Pulse Width Low	$4 \times t_{CK}$		ns
$t_{SRST}$ $\overline{RESET}$ Setup Before CLKIN Low	8		ns

<sup>1</sup> Applies after the power-up sequence is complete. At power-up, the processor's internal phase-locked loop requires no more than 100  $\mu$ s while  $\overline{RESET}$  is low, assuming stable  $V_{DD}$  and CLKIN (not including start-up time of external clock oscillator).

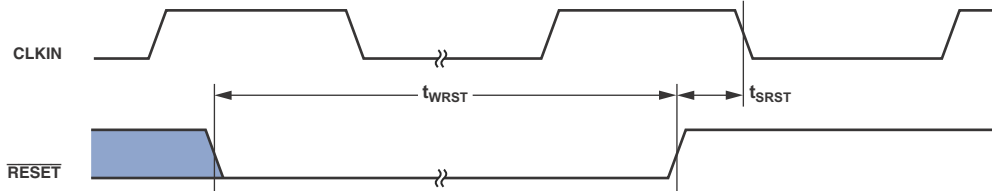


Figure 9. Reset

## Running Reset

The following timing specification applies to  $\overline{RESETOUT}/\overline{RUNRSTIN}$  pin when it is configured as  $\overline{RUNRSTIN}$ .

Table 21. Running Reset

Parameter	Min	Max	Unit
<i>Timing Requirements</i>			
$t_{WRUNRST}$ Running $\overline{RESET}$ Pulse Width Low	$4 \times t_{CK}$		ns
$t_{SRUNRST}$ Running $\overline{RESET}$ Setup Before CLKIN High	8		ns

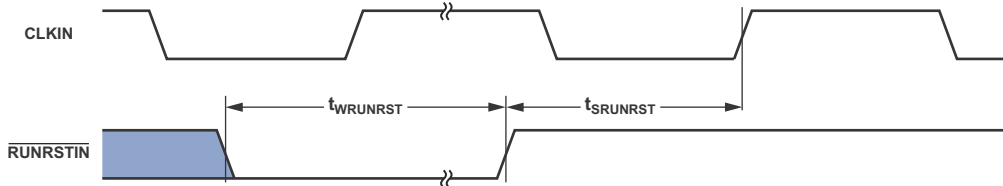


Figure 10. Running Reset

## Interrupts

The following timing specification applies to the FLAG0, FLAG1, and FLAG2 pins when they are configured as  $\overline{\text{IRQ0}}$ ,  $\overline{\text{IRQ1}}$ , and  $\overline{\text{IRQ2}}$  interrupts as well as the DAI\_P20-1 and DPI\_P14-1 pins when they are configured as interrupts.

**Table 22. Interrupts**

Parameter	Min	Max	Unit
<i>Timing Requirement</i>			
$t_{\text{IPW}}$ $\overline{\text{IRQX}}$ Pulse Width	$2 \times t_{\text{PCLK}} + 2$		ns

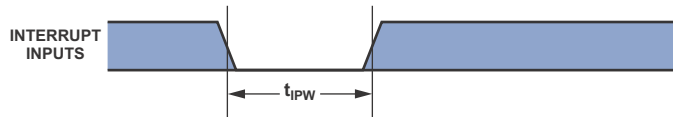


Figure 11. Interrupts

## Core Timer

The following timing specification applies to FLAG3 when it is configured as the core timer (TMREXP).

**Table 23. Core Timer**

Parameter	Min	Max	Unit
<i>Switching Characteristic</i>			
$t_{\text{WCTIM}}$ TMREXP Pulse Width	$4 \times t_{\text{PCLK}} - 1$		ns



Figure 12. Core Timer

# ADSP-21467/ADSP-21469

## Timer PWM\_OUT Cycle Timing

The following timing specification applies to Timer0 and Timer1 in PWM\_OUT (pulse-width modulation) mode. Timer signals are routed to the DPI\_P14-1 pins through the DPI SRU. Therefore, the timing specifications provided below are valid at the DPI\_P14-1 pins.

**Table 24. Timer PWM\_OUT Timing**

Parameter	Min	Max	Unit
<i>Switching Characteristic</i>			
$t_{PWMO}$ Timer Pulse Width Output	$2 \times t_{PCLK} - 1.2$	$2 \times (2^{31} - 1) \times t_{PCLK}$	ns

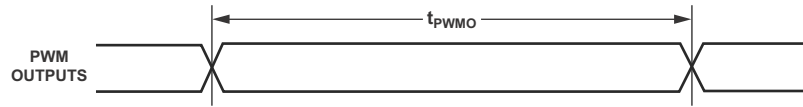


Figure 13. Timer PWM\_OUT Timing

## Timer WDTM\_CAP Timing

The following timing specification applies to Timer0 and Timer1 in WDTM\_CAP (pulse width count and capture) mode. Timer signals are routed to the DPI\_P14-1 pins through the SRU. Therefore, the timing specifications provided below are valid at the DPI\_P14-1 pins.

**Table 25. Timer Width Capture Timing**

Parameter	Min	Max	Unit
<i>Timing Requirement</i>			
$t_{PWI}$ Timer Pulse Width	$2 \times t_{PCLK}$	$2 \times (2^{31} - 1) \times t_{PCLK}$	ns

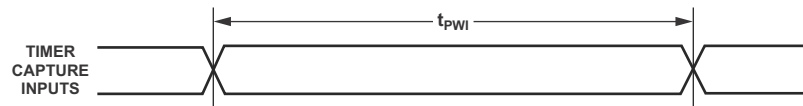


Figure 14. Timer Width Capture Timing

**Pin to Pin Direct Routing (DAI and DPI)**

For direct pin connections only (for example DAI\_PB01\_I to DAI\_PB02\_O).

**Table 26. DAI and DPI Pin to Pin Routing**

Parameter	Min	Max	Unit
<i>Timing Requirement</i>			
$t_{DPIO}$ Delay DAI/DPI Pin Input Valid to DAI/DPI Output Valid	1.5	12	ns

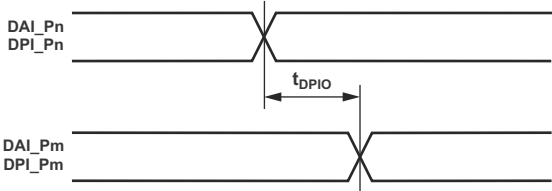


Figure 15. DAI and DPI Pin to Pin Direct Routing

# ADSP-21467/ADSP-21469

## Precision Clock Generator (Direct Pin Routing)

This timing is only valid when the SRU is configured such that the precision clock generator (PCG) takes its inputs directly from the DAI pins (via pin buffers) and sends its outputs directly to the DAI pins. For the other cases, where the PCG's

inputs and outputs are not directly routed to/from DAI pins (via pin buffers) there is no timing data available. All timing parameters and switching characteristics apply to external DAI pins (DAI\_P01 – DAI\_P20).

Table 27. Precision Clock Generator (Direct Pin Routing)

Parameter	Min	Max	Unit
<i>Timing Requirements</i>			
$t_{PCGIW}$ Input Clock Period	$t_{PCLK} \times 4$		ns
$t_{STRIG}$ PCG Trigger Setup Before Falling Edge of PCG Input Clock	4.5		ns
$t_{HTRIG}$ PCG Trigger Hold After Falling Edge of PCG Input Clock	3		ns
<i>Switching Characteristics</i>			
$t_{DPCGIO}$ PCG Output Clock and Frame Sync Active Edge Delay After PCG Input Clock	2.5	10	ns
$t_{DTRIGCLK}$ PCG Output Clock Delay After PCG Trigger	$2.5 + (2.5 \times t_{PCGIP})$	$10 + (2.5 \times t_{PCGIP})$	ns
$t_{DTRIGFS}$ PCG Frame Sync Delay After PCG Trigger	$2.5 + ((2.5 + D - PH) \times t_{PCGIP})$	$10 + ((2.5 + D - PH) \times t_{PCGIP})$	ns
$t_{PCGOW}^1$ Output Clock Period	$2 \times t_{PCGIP} - 1$		ns

D = FSxDIV, PH = FSxPHASE. For more information, see the ADSP-214xx SHARC Processor Hardware Reference, "Precision Clock Generators" chapter.

<sup>1</sup>Normal mode of operation.

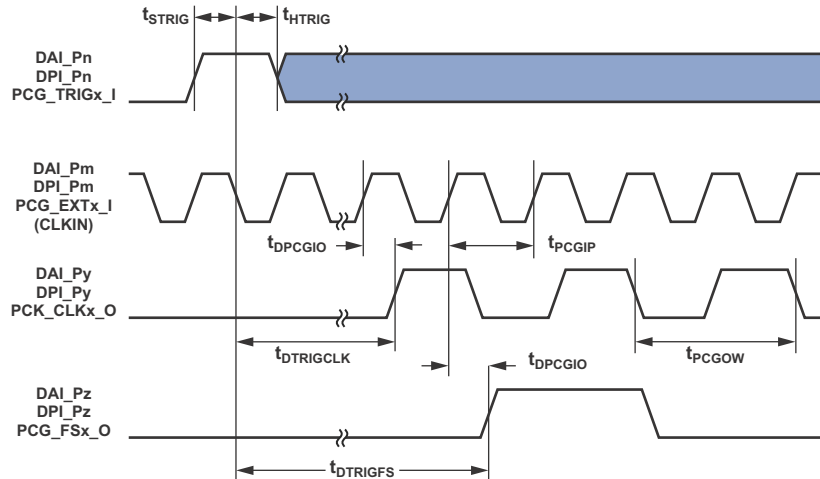


Figure 16. Precision Clock Generator (Direct Pin Routing)

## Flags

The timing specifications provided below apply to AMI\_ADDR23-0 and AMI\_DATA7-0 when configured as FLAGS. See [Table 10 on Page 13](#) for more information on flag use.

**Table 28. Flags**

Parameter	Min	Max	Unit
<i>Timing Requirement</i>			
$t_{FIPW}$ DPI_P14-1, AMI_ADDR23-0, AMI_DATA7-0, FLAG3-0 IN Pulse Width	$2 \times t_{PCLK} + 3$		ns
<i>Switching Characteristic</i>			
$t_{FOPW}$ DPI_P14-1, AMI_ADDR23-0, AMI_DATA7-0, FLAG3-0 OUT Pulse Width	$2 \times t_{PCLK} - 3$		ns

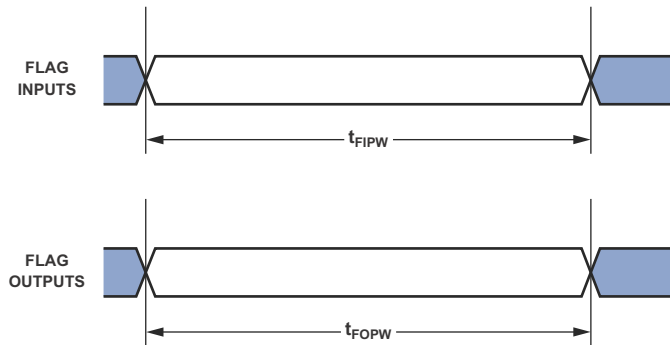


Figure 17. Flags

# ADSP-21467/ADSP-21469

## DDR2 SDRAM Read Cycle Timing

Table 29. DDR2 SDRAM Read Cycle Timing,  $V_{DD-DDR2}$  Nominal 1.8 V

Parameter	200 MHz <sup>1</sup>		225 MHz <sup>1</sup>		Unit		
	Min	Max	Min	Max			
<i>Timing Requirements</i>							
$t_{AC}$	Access Window of $\overline{DDR2\_DATA}$ to $\overline{DDR2\_CLKx}/\overline{DDR2\_CLKx}$		-1.0	1.5	-1.0	1.5	ns
$t_{DQSK}$	Access Window of $\overline{DDR2\_DQSx}/\overline{DDR2\_DQSx}$ to $\overline{DDR2\_CLKx}/\overline{DDR2\_CLKx}$		-1.0	1.5	-1.0	1.5	ns
$t_{DQSQ}$	DQS-DATA skew for $\overline{DDR2\_DQSx}$ and Associated $\overline{DDR2\_DATA}$ signals			0.450		0.450	ns
$t_{QH}$	DDR2_DATA Hold Time From $\overline{DDR2\_DQSx}/\overline{DDR2\_DQSx}$		1.9		1.71		ns
$t_{RPRE}$	Read Preamble		0.6		0.6		$t_{CK}$
$t_{RPST}$	Read Postamble		0.25		0.25		$t_{CK}$
<i>Switching Characteristics</i>							
$t_{CK}$	$\overline{DDR2\_CLKx}/\overline{DDR2\_CLKx}$ Period		4.8		4.22		ns
$t_{CH}$	DDR2_CLKx High Pulse Width		2.35	2.75	2.05	2.45	ns
$t_{CL}$	DDR2_CLKx Low Pulse Width		2.35	2.75	2.05	2.45	ns
$t_{AS}$	DDR2_ADDR and Control Setup Time Relative to $\overline{DDR2\_CLKx}$ Rising		1.85		1.65		ns
$t_{AH}$	DDR2_ADDR and Control Hold Time Relative to $\overline{DDR2\_CLKx}$ Rising		1.0		0.9		ns

<sup>1</sup> In order to ensure proper operation of the DDR2, all the DDR2 guidelines have to be strictly followed (see Engineer-to-Engineer Note EE-349).

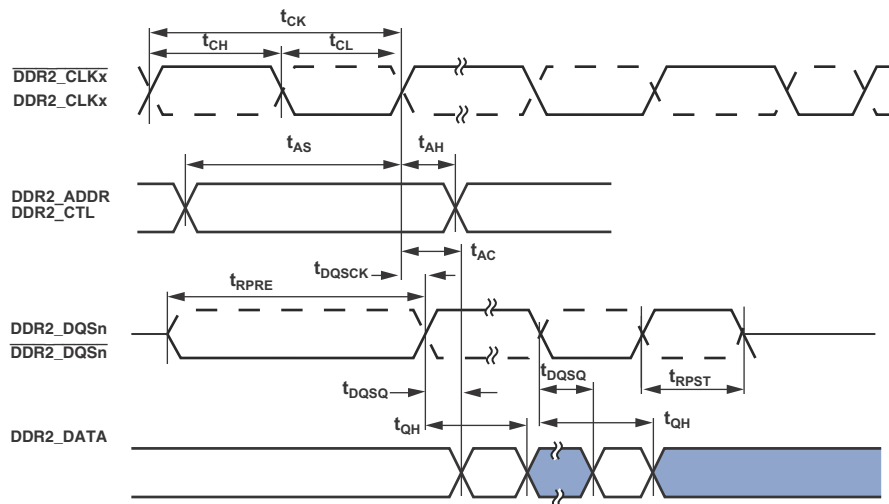


Figure 18. DDR2 SDRAM Controller Input AC Timing



## DDR2 SDRAM Write Cycle Timing

Table 30. DDR2 SDRAM Write Cycle Timing,  $V_{DD-DDR2}$  Nominal 1.8 V

Parameter	200 MHz <sup>1</sup>		225 MHz <sup>1</sup>		Unit
	Min	Max	Min	Max	
<i>Switching Characteristics</i>					
$t_{CK}$	DDR2_CLKx/DDR2_CLKx Period		4.22	4.8	ns
$t_{CH}$	DDR2_CLKx High Pulse Width		2.05	2.75	ns
$t_{CL}$	DDR2_CLKx Low Pulse Width		2.05	2.75	ns
$t_{DQSS}^2$	DDR2_CLKx Rise to DDR2_DQSx Rise Delay		-0.45	0.4	ns
$t_{DS}$	Last DDR2_DATA Valid to DDR2_DQSx Delay		0.5	0.6	ns
$t_{DH}$	DDR2_DQSx to First DDR2_DATA Invalid Delay		0.55	0.65	ns
$t_{DSS}$	DDR2_DQSx Falling Edge to DDR2_CLKx Rising Setup Time		1.65	1.95	ns
$t_{DSH}$	DDR2_DQSx Falling Edge Hold Time From DDR2_CLKx Rising		1.8	2.05	ns
$t_{DQSH}$	DDR2_DQS High Pulse Width		1.65	2.05	ns
$t_{DQSL}$	DDR2_DQS Low Pulse Width		1.65	2.0	ns
$t_{WPRE}$	Write Preamble		0.8	0.8	$t_{CK}$
$t_{WPST}$	Write Postamble		0.5	0.5	$t_{CK}$
$t_{AS}$	DDR2_ADDR and Control Setup Time Relative to DDR2_CLKx Rising		1.65	1.85	ns
$t_{AH}$	DDR2_ADDR and Control Hold Time Relative to DDR2_CLKx Rising		0.9	1.0	ns

<sup>1</sup>In order to ensure proper operation of the DDR2, all the DDR2 guidelines have to be strictly followed (see Engineer-to-Engineer Note No: EE-349).

<sup>2</sup>Write command to first DQS delay =  $WL \times t_{CK} + t_{DQSS}$ .

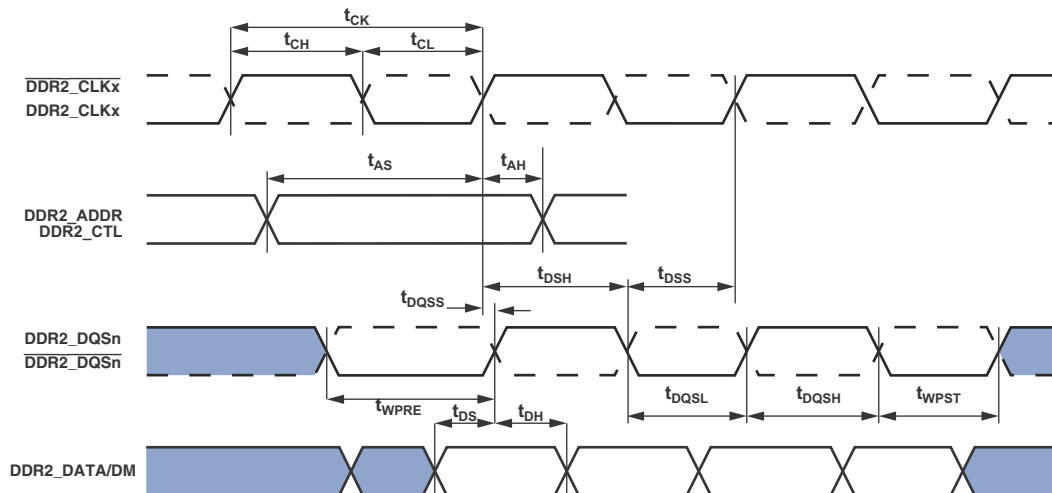


Figure 19. DDR2 SDRAM Controller Output AC Timing

# ADSP-21467/ADSP-21469

## AMI Read

Use these specifications for asynchronous interfacing to memories. Note that timing for AMI\_ACK, AMI\_DATA, AMI\_RD, AMI\_WR, and strobe timing parameters only apply to asynchronous access mode.

**Table 31. Memory Read**

Parameter	Min	Max	Unit
<i>Timing Requirements</i>			
t <sub>DAD</sub>	Address, Selects Delay to Data Valid <sup>1,2,3</sup>		ns
t <sub>DRLD</sub>	AMI_RD Low to Data Valid <sup>1</sup>		ns
t <sub>SDS</sub>	Data Setup to AMI_RD High		ns
t <sub>HDRH</sub>	Data Hold from AMI_RD High <sup>4,5</sup>		ns
t <sub>DAAK</sub>	AMI_ACK Delay from Address, Selects <sup>2,6</sup>		ns
t <sub>DSAK</sub>	AMI_ACK Delay from AMI_RD Low <sup>4</sup>		ns
<i>Switching Characteristics</i>			
t <sub>DRHA</sub>	Address Selects Hold After AMI_RD High		ns
t <sub>DARL</sub>	Address Selects to AMI_RD Low <sup>2</sup>		ns
t <sub>RW</sub>	AMI_RD Pulse Width		ns
t <sub>RWR</sub>	AMI_RD High to AMI_RD Low		ns

$W = (\text{number of wait states specified in AMICTLx register}) \times t_{\text{DDR2\_CLK}}$

$RHC = (\text{number of Read Hold Cycles specified in AMICTLx register}) \times t_{\text{DDR2\_CLK}}$

Where PREDIS = 0

HI = RHC: Read to Read from same bank

HI = RHC + IC: Read to Read from different bank

HI = RHC + Max (IC, (4 × t<sub>DDR2\_CLK</sub>)): Read to Write from same or different bank

Where PREDIS = 1

HI = RHC + Max (IC, (4 × t<sub>DDR2\_CLK</sub>)): Read to Write from same or different bank

HI = RHC + (3 × t<sub>DDR2\_CLK</sub>): Read to Read from same bank

HI = RHC + Max (IC, (3 × t<sub>DDR2\_CLK</sub>)): Read to Read from different bank

$IC = (\text{number of idle cycles specified in AMICTLx register}) \times t_{\text{DDR2\_CLK}}$   $H = (\text{number of hold cycles specified in AMICTLx register}) \times t_{\text{DDR2\_CLK}}$

<sup>1</sup>Data delay/setup: System must meet t<sub>DAD</sub>, t<sub>DRLD</sub>, or t<sub>SDS</sub>.

<sup>2</sup>The falling edge of AMI\_MSx, is referenced.

<sup>3</sup>The maximum limit of timing requirement values for t<sub>DAD</sub> and t<sub>DRLD</sub> parameters are applicable for the case where AMI\_ACK is always high.

<sup>4</sup>Note that timing for AMI\_ACK, AMI\_DATA, AMI\_RD, AMI\_WR, and strobe timing parameters only apply to asynchronous access mode.

<sup>5</sup>Data hold: User must meet t<sub>HDRH</sub> in asynchronous access mode. See [Test Conditions on Page 60](#) for the calculation of hold times given capacitive and dc loads.

<sup>6</sup>AMI\_ACK delay/setup: User must meet t<sub>DAAK</sub>, or t<sub>DSAK</sub>, for deassertion of AMI\_ACK (low).

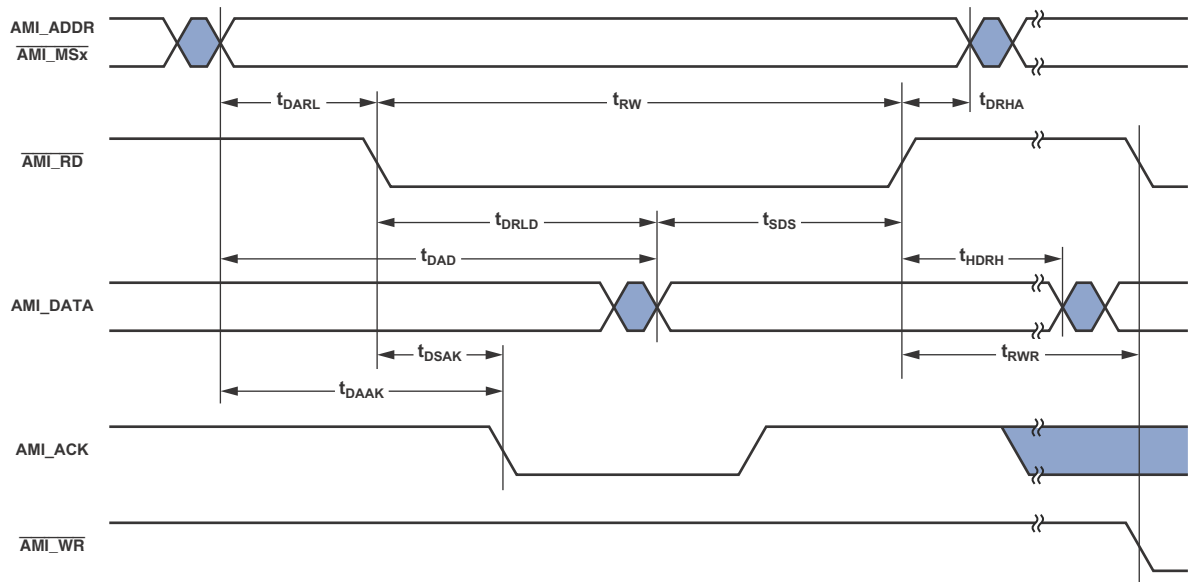


Figure 20. AMI Read

# ADSP-21467/ADSP-21469

## AMI Write

Use these specifications for asynchronous interfacing to memories. Note that timing for AMI\_ACK, AMI\_DATA, AMI\_RD, AMI\_WR, and strobe timing parameters only apply to asynchronous access mode.

Table 32. Memory Write

Parameter	Min	Max	Unit
<i>Timing Requirements</i>			
t <sub>DAAK</sub> AMI_ACK Delay from Address, Selects <sup>1,2</sup>		t <sub>DDR2_CLK</sub> - 9.7 + W	ns
t <sub>DSAK</sub> AMI_ACK Delay from $\overline{\text{AMI\_WR}}$ Low <sup>1,3</sup>		W - 6	ns
<i>Switching Characteristics</i>			
t <sub>DAWH</sub> Address, Selects to $\overline{\text{AMI\_WR}}$ Deasserted <sup>2</sup>	t <sub>DDR2_CLK</sub> - 3.1 + W		ns
t <sub>DAWL</sub> Address, Selects to $\overline{\text{AMI\_WR}}$ Low <sup>2</sup>	t <sub>DDR2_CLK</sub> - 3		ns
t <sub>WW</sub> $\overline{\text{AMI\_WR}}$ Pulse Width	W - 1.3		ns
t <sub>DDWH</sub> Data Setup Before $\overline{\text{AMI\_WR}}$ High	t <sub>DDR2_CLK</sub> - 3.0 + W		ns
t <sub>DWHA</sub> Address Hold After $\overline{\text{AMI\_WR}}$ Deasserted	H + 0.15		ns
t <sub>DWHD</sub> Data Hold After $\overline{\text{AMI\_WR}}$ Deasserted	H		ns
t <sub>DATRWH</sub> Data Disable After $\overline{\text{AMI\_WR}}$ Deasserted <sup>4</sup>	t <sub>DDR2_CLK</sub> - 1.37 + H	t <sub>DDR2_CLK</sub> + 4.9 + H	ns
t <sub>WWR</sub> $\overline{\text{AMI\_WR}}$ High to $\overline{\text{AMI\_WR}}$ Low <sup>5</sup>	t <sub>DDR2_CLK</sub> - 1.5 + H		ns
t <sub>DDWR</sub> Data Disable Before $\overline{\text{AMI\_RD}}$ Low	2t <sub>DDR2_CLK</sub> - 6		ns
t <sub>WDE</sub> $\overline{\text{AMI\_WR}}$ Low to Data Enabled	t <sub>DDR2_CLK</sub> - 3.5		ns

W = (number of wait states specified in AMICTLx register) × t<sub>DDR2\_CLK</sub>, H = (number of hold cycles specified in AMICTLx register) × t<sub>DDR2\_CLK</sub>

<sup>1</sup> AMI\_ACK delay/setup: System must meet t<sub>DAAK</sub>, or t<sub>DSAK</sub>, for deassertion of AMI\_ACK (low).

<sup>2</sup> The falling edge of  $\overline{\text{AMI\_MSx}}$  is referenced.

<sup>3</sup> Note that timing for AMI\_ACK, AMI\_DATA, AMI\_RD, AMI\_WR, and strobe timing parameters only applies to asynchronous access mode.

<sup>4</sup> See Test Conditions on Page 60 for calculation of hold times given capacitive and dc loads.

<sup>5</sup> For Write to Write: t<sub>DDR2\_CLK</sub> + H, for both same bank and different bank. For Write to Read: (3 × t<sub>DDR2\_CLK</sub>) + H, for the same bank and different banks.

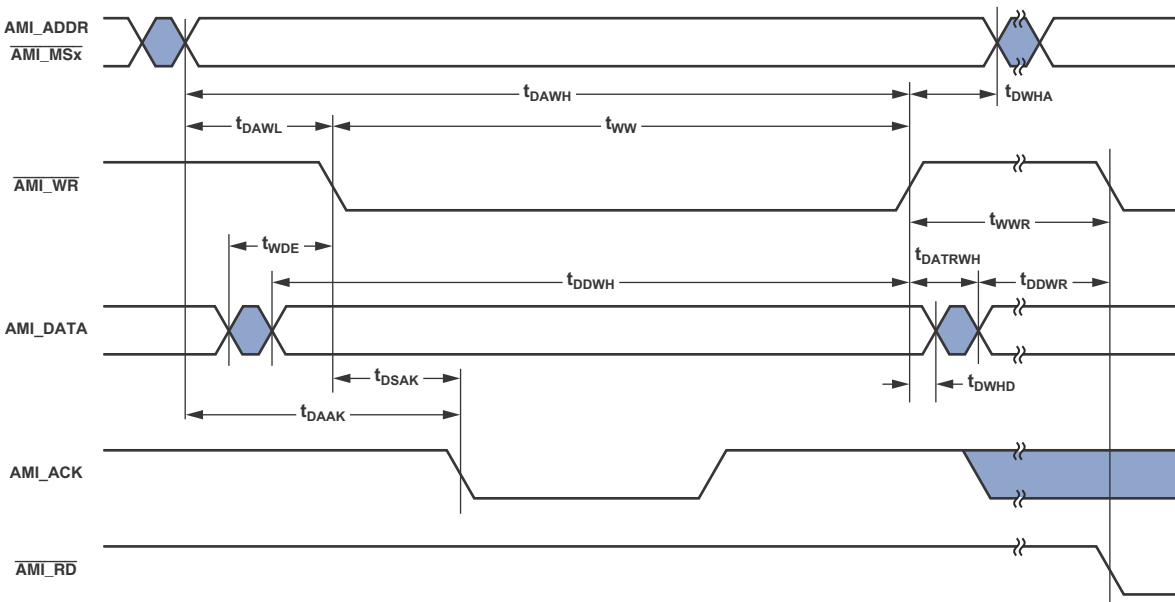


Figure 21. AMI Write

## Shared Memory Bus Request

Use these specifications for passing bus mastership between processors ( $\overline{\text{BRx}}$ ).

**Table 33. Shared Memory Bus Request**

Parameter	Min	Max	Unit
<i>Timing Requirements</i>			
$t_{\text{SBRI}}$ $\overline{\text{BRx}}$ , Setup Before CLKIN High	$2 \times t_{\text{PCLK}} + 4$		ns
$t_{\text{HBRI}}$ $\overline{\text{BRx}}$ , Hold After CLKIN High	5		ns
<i>Switching Characteristics</i>			
$t_{\text{DBRO}}$ $\overline{\text{BRx}}$ Delay After CLKIN High		20	ns
$t_{\text{HBRO}}$ $\overline{\text{BRx}}$ Hold After CLKIN High	$1 - t_{\text{PCLK}}$		ns

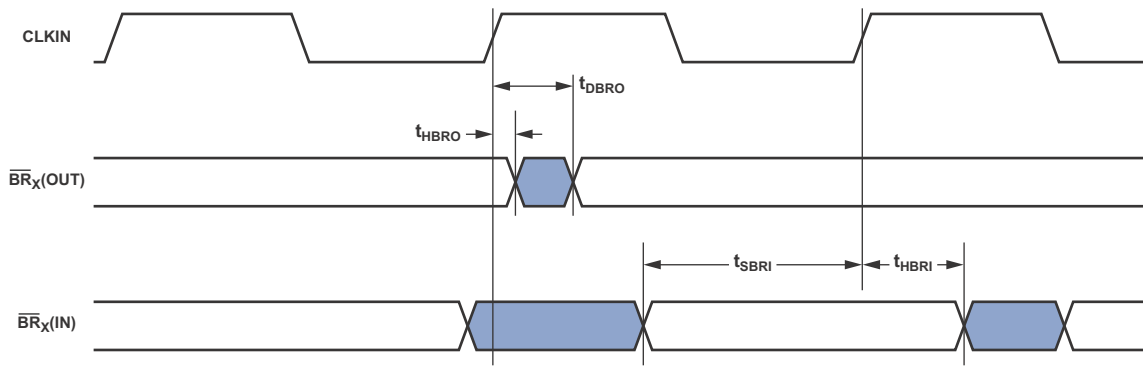


Figure 22. Shared Memory Bus Request

# ADSP-21467/ADSP-21469

## Link Ports

Calculation of link receiver data setup and hold relative to link clock is required to determine the maximum allowable skew that can be introduced in the transmission path length difference between LDATA and LCLK. Setup skew is the maximum

delay that can be introduced in LDATA relative to LCLK: (setup skew =  $t_{LCLKTWH \min} - t_{DLDC} - t_{SLDCL}$ ). Hold skew is the maximum delay that can be introduced in LCLK relative to LDATA: (hold skew =  $t_{LCLKTWH \min} - t_{HLDCH} - t_{HLDCL}$ ).

**Table 34. Link Ports—Receive**

Parameter	Min	Max	Unit
<i>Timing Requirements</i>			
$t_{SLDCL}$ Data Setup Before LCLK Low	0.5		ns
$t_{HLDCL}$ Data Hold After LCLK Low	1.5		ns
$t_{LCLKIW}$ LCLK Period	$t_{LCLK}$ (6 ns)		ns
$t_{LCLKRWL}$ LCLK Width Low	2.6		ns
$t_{LCLKRWH}$ LCLK Width High	2.6		ns
<i>Switching Characteristics</i>			
$t_{DLALC}$ LACK Low Delay After LCLK Low <sup>1</sup>	5	12	ns

<sup>1</sup>LACK goes low with  $t_{DLALC}$  relative to the fall of LCLK after first byte, but does not go low if the receiver's link buffer is not about to fill.

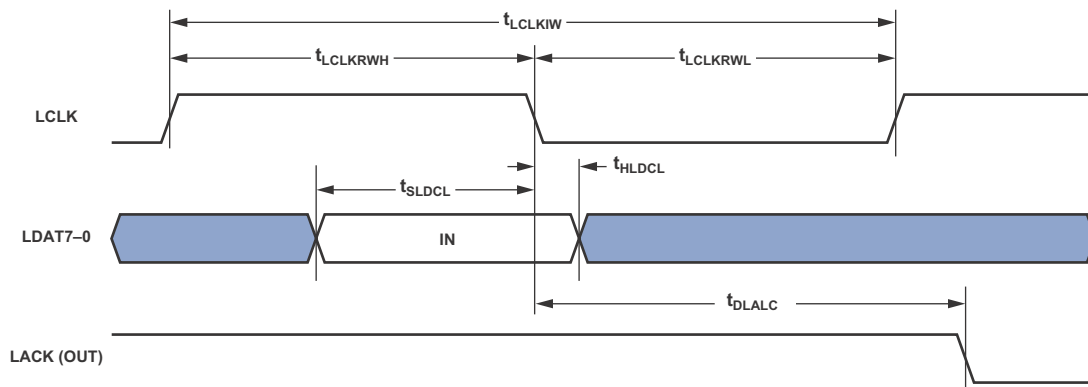
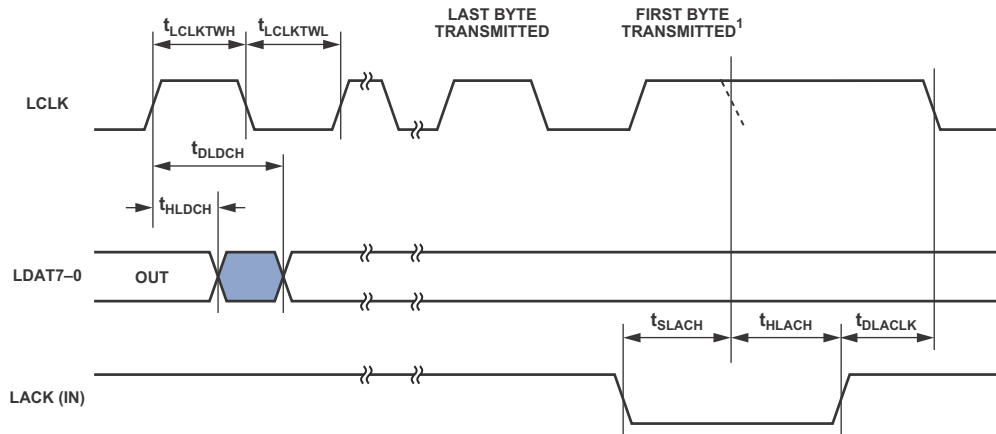


Figure 23. Link Ports—Receive

**Table 35. Link Ports—Transmit**

Parameter	Min	Max	Unit
<i>Timing Requirements</i>			
$t_{SLACH}$ LACK Setup Before LCLK Low	8.5		ns
$t_{HLACH}$ LACK Hold After LCLK Low	0		ns
<i>Switching Characteristics</i>			
$t_{DLDC}$ Data Delay After LCLK High		1	ns
$t_{HLDCH}$ Data Hold After LCLK High	-1		ns
$t_{LCLKTWL}$ LCLK Width Low	$0.5 \times t_{LCLK} - 0.4$	$0.6 \times t_{LCLK} + 0.4^1$	ns
$t_{LCLKTWH}$ LCLK Width High	$0.4 \times t_{LCLK} - 0.4^1$	$0.5 \times t_{LCLK} + 0.4$	ns
$t_{DLACLK}$ LCLK Low Delay After LACK High	$t_{LCLK} - 2$	$t_{LCLK} + 8$	ns

<sup>1</sup>For 1:2.5 ratio. For other ratios this specification is  $0.5 \times t_{LCLK} - 1$ .



**NOTES**  
 The  $t_{SLACH}$  and  $t_{HLACH}$  specifications apply only to the LACK falling edge. If these specifications are met, LCLK would extend and the dotted LCLK falling edge would not occur as shown. The position of the dotted falling edge can be calculated using the  $t_{LCLKTWH}$  specification.  $t_{LCLKTWH}$  Min should be used for  $t_{SLACH}$  and  $t_{LCLKTWH}$  Max for  $t_{HLACH}$ . The  $t_{SLACH}$  and  $t_{HLACH}$  requirements apply to the falling edge of LCLK only for the first byte transmitted.

Figure 24. Link Ports—Transmit

# ADSP-21467/ADSP-21469

## Serial Ports

In slave transmitter mode and master receiver mode the maximum serial port frequency is  $f_{PCLK}/8$ . To determine whether communication is possible between two devices at clock speed  $n$ , the following specifications must be confirmed: 1) frame sync delay and frame sync setup and hold, 2) data delay and data setup and hold, and 3) serial clock (SCLK) width.

Serial port signals are routed to the DAI\_P20–1 pins using the SRU. Therefore, the timing specifications provided below are valid at the DAI\_P20–1 pins. In [Figure 25](#) either the rising edge or the falling edge of SCLK (external or internal) can be used as the active sampling edge.

**Table 36. Serial Ports—External Clock**

Parameter	Min	Max	Unit
<i>Timing Requirements</i>			
$t_{SFSE}^1$ Frame Sync Setup Before SCLK (Externally Generated Frame Sync in either Transmit or Receive Mode)	2.5		ns
$t_{HFSE}^1$ Frame Sync Hold After SCLK (Externally Generated Frame Sync in either Transmit or Receive Mode)	2.5		ns
$t_{SDRE}^1$ Receive Data Setup Before Receive SCLK	1.9		ns
$t_{HDRE}^1$ Receive Data Hold After SCLK	2.5		ns
$t_{SCLKW}$ SCLK Width	$(t_{PCLK} \times 4) \div 2 - 1.2$		ns
$t_{SCLK}$ SCLK Period	$t_{PCLK} \times 4$		ns
<i>Switching Characteristics</i>			
$t_{DFSE}^2$ Frame Sync Delay After SCLK (Internally Generated Frame Sync in either Transmit or Receive Mode)		10.25	ns
$t_{HOFSE}^2$ Frame Sync Hold After SCLK (Internally Generated Frame Sync in either Transmit or Receive Mode)	2		ns
$t_{DDTE}^2$ Transmit Data Delay After Transmit SCLK		8.5	ns
$t_{HDTE}^2$ Transmit Data Hold After Transmit SCLK	2		ns

<sup>1</sup>Referenced to sample edge.

<sup>2</sup>Referenced to drive edge.

**Table 37. Serial Ports—Internal Clock**

Parameter	Min	Max	Unit
<i>Timing Requirements</i>			
$t_{SFSI}^1$ Frame Sync Setup Before SCLK (Externally Generated Frame Sync in either Transmit or Receive Mode)	7		ns
$t_{HFSI}^1$ Frame Sync Hold After SCLK (Externally Generated Frame Sync in either Transmit or Receive Mode)	2.5		ns
$t_{SDRI}^1$ Receive Data Setup Before SCLK	7		ns
$t_{HDRI}^1$ Receive Data Hold After SCLK	2.5		ns
<i>Switching Characteristics</i>			
$t_{DFSI}^2$ Frame Sync Delay After SCLK (Internally Generated Frame Sync in Transmit Mode)		4	ns
$t_{HOFSI}^2$ Frame Sync Hold After SCLK (Internally Generated Frame Sync in Transmit Mode)	-1.0		ns
$t_{DFSIR}^2$ Frame Sync Delay After SCLK (Internally Generated Frame Sync in Receive Mode)		9.75	ns
$t_{HOF SIR}^2$ Frame Sync Hold After SCLK (Internally Generated Frame Sync in Receive Mode)	-1.0		ns
$t_{DDTI}^2$ Transmit Data Delay After SCLK		3.25	ns
$t_{HD TI}^2$ Transmit Data Hold After SCLK	-1.25		ns
$t_{SCLKIW}$ Transmit or Receive SCLK Width	$2 \times t_{PCLK} - 1.2$	$2 \times t_{PCLK} + 1.5$	ns

<sup>1</sup>Referenced to the sample edge.

<sup>2</sup>Referenced to drive edge.



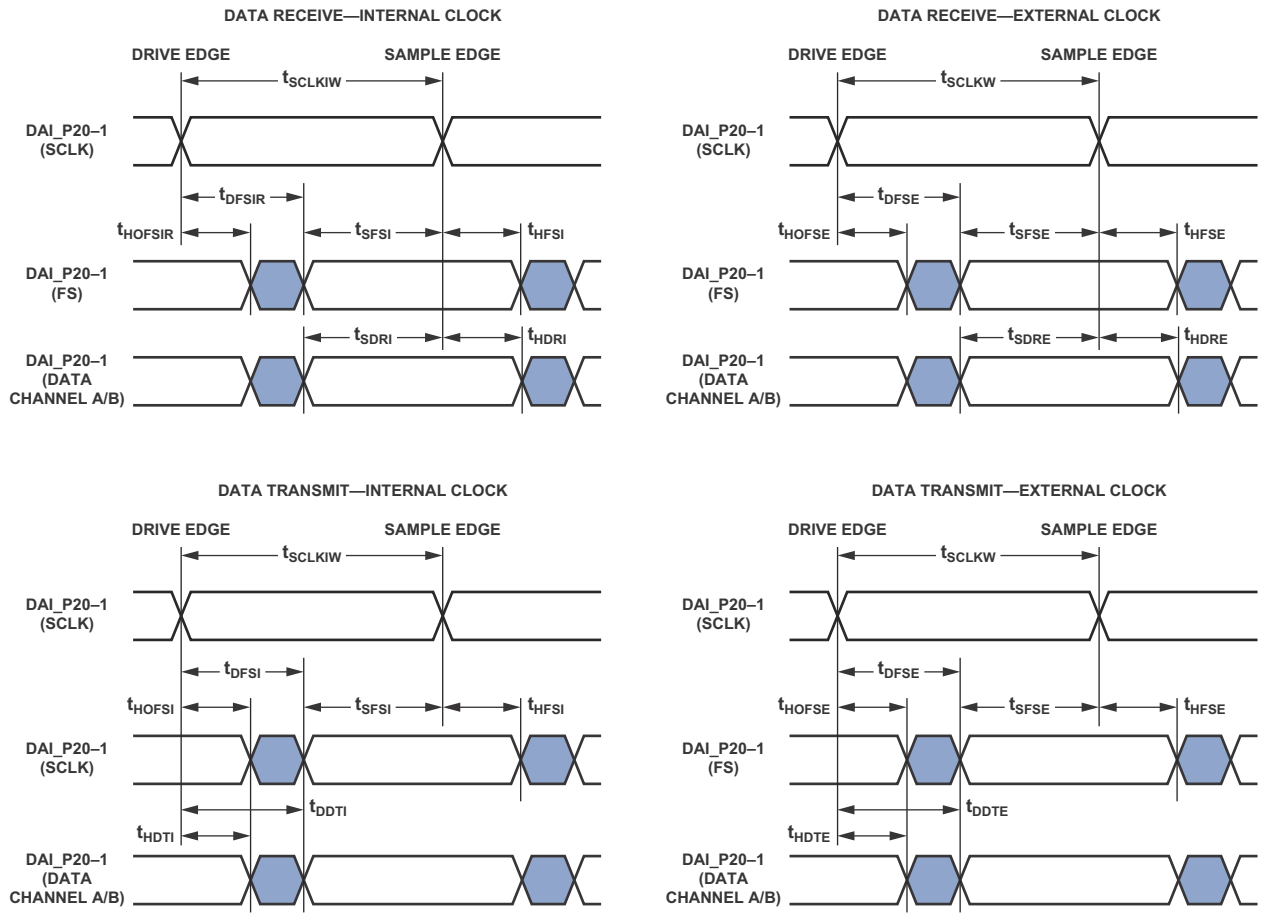


Figure 25. Serial Ports

# ADSP-21467/ADSP-21469

**Table 38. Serial Ports—Enable and Three-State**

Parameter		Min	Max	Unit
<i>Switching Characteristics</i>				
$t_{DDTEN}^1$	Data Enable from External Transmit SCLK	2		ns
$t_{DDTTE}^1$	Data Disable from External Transmit SCLK		11.5	ns
$t_{DDTIN}^1$	Data Enable from Internal Transmit SCLK	-1		ns

<sup>1</sup>Referenced to drive edge.

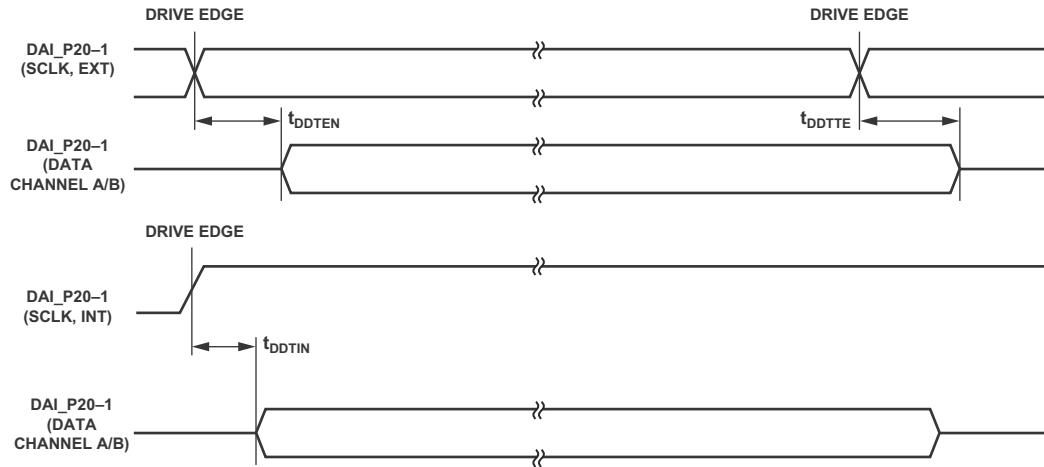


Figure 26. Serial Ports—Enable and Three-State

The SPORT<sub>x</sub>\_TDV\_O output signal (routing unit) becomes active in SPORT multichannel mode. During transmit slots (enabled with active channel selection registers) the SPORT<sub>x</sub>\_TDV\_O is asserted for communication with external devices.

**Table 39. Serial Ports—TDV (Transmit Data Valid)**

Parameter	Min	Max	Unit
<i>Switching Characteristics<sup>1</sup></i>			
t <sub>DRDVEN</sub> TDV Assertion Delay from Drive Edge of External Clock	3		ns
t <sub>DFDVEN</sub> TDV Deassertion Delay from Drive Edge of External Clock		8	ns
t <sub>DRDVIN</sub> TDV Assertion Delay from Drive Edge of Internal Clock	-0.1		ns
t <sub>DFDVIN</sub> TDV Deassertion Delay from Drive Edge of Internal Clock		2	ns

<sup>1</sup>Referenced to drive edge.

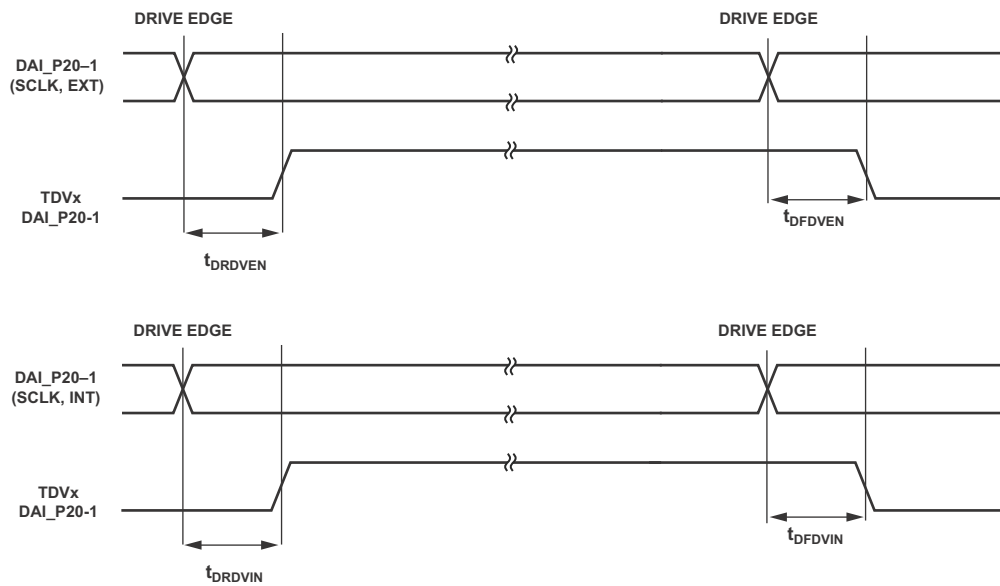


Figure 27. Serial Ports—Transmit Data Valid Internal and External Clock

# ADSP-21467/ADSP-21469

**Table 40. Serial Ports—External Late Frame Sync**

Parameter	Min	Max	Unit
<i>Switching Characteristics</i>			
$t_{DDTLFSE}^1$ Data Delay from Late External Transmit Frame Sync or External Receive Frame Sync with MCE = 1, MFD = 0		7.75	ns
$t_{DDTENFS}^1$ Data Enable for MCE = 1, MFD = 0	0.5		ns

<sup>1</sup>The  $t_{DDTLFSE}$  and  $t_{DDTENFS}$  parameters apply to left-justified as well as DSP serial mode, and MCE = 1, MFD = 0.

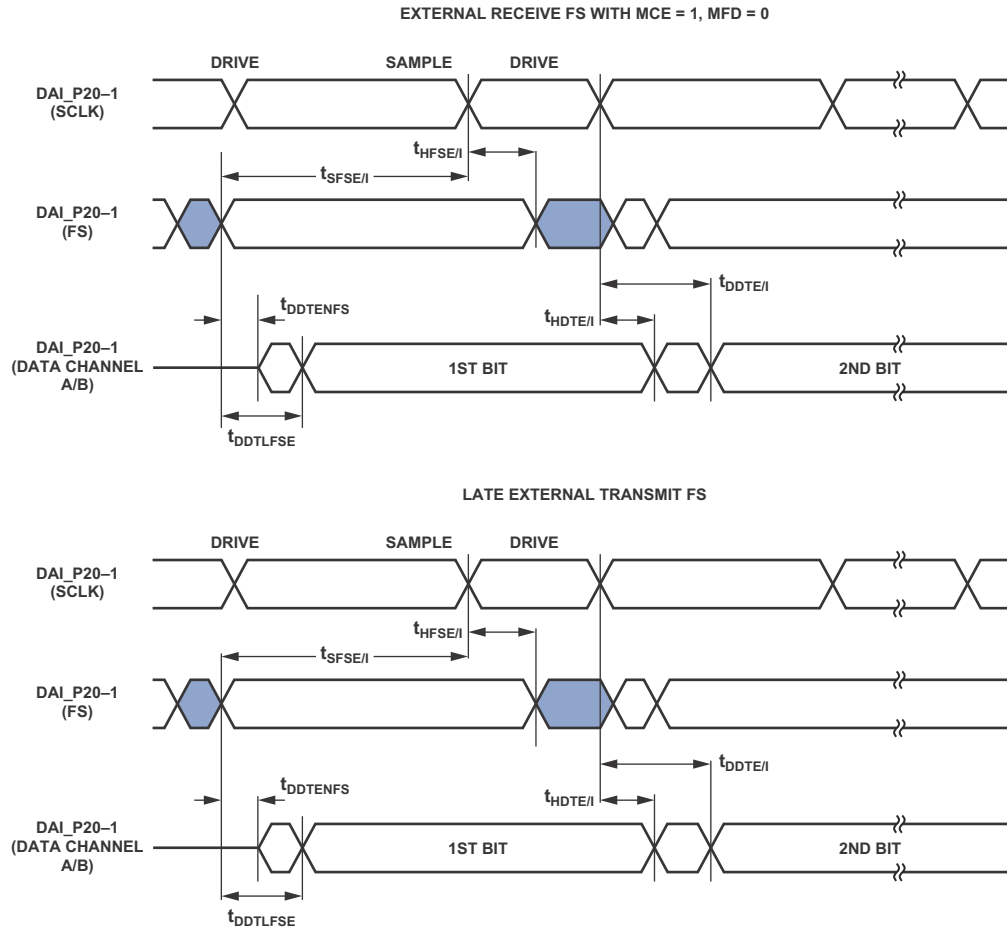


Figure 28. External Late Frame Sync

## Input Data Port (IDP)

The timing requirements for the IDP are given in Table 41. IDP signals are routed to the DAI\_P20-1 pins using the SRU. Therefore, the timing specifications provided below are valid at the DAI\_P20-1 pins.

**Table 41. Input Data Port (IDP)**

Parameter	Min	Max	Unit
<i>Timing Requirements</i>			
$t_{SISFS}^1$	Frame Sync Setup Before Serial Clock Rising Edge	3.8	ns
$t_{SIHFS}^1$	Frame Sync Hold After Serial Clock Rising Edge	2.5	ns
$t_{SISD}^1$	Data Setup Before Serial Clock Rising Edge	2.5	ns
$t_{SIHD}^1$	Data Hold After Serial Clock Rising Edge	2.5	ns
$t_{IDPCLKW}$	Clock Width	$(t_{PCLK} \times 4) \div 2 - 1$	ns
$t_{IDPCLK}$	Clock Period	$t_{PCLK} \times 4$	ns

<sup>1</sup> The serial clock, data, and frame sync signals can come from any of the DAI pins. The serial clock and frame sync signals can also come via PCG or SPORTs. The PCG's input can be either CLKIN or any of the DAI pins.

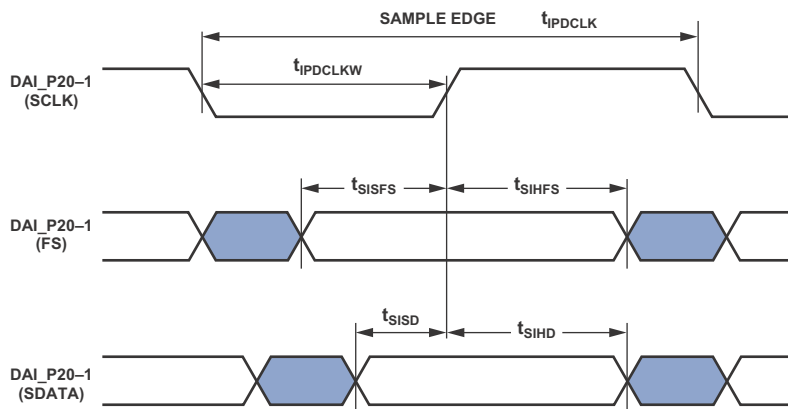


Figure 29. IDP Master Timing

# ADSP-21467/ADSP-21469

## Parallel Data Acquisition Port (PDAP)

The timing requirements for the PDAP are provided in Table 42. PDAP is the parallel mode operation of channel 0 of the IDP. For details on the operation of the PDAP, see the PDAP chapter of the *ADSP-214xx SHARC Processor Hardware Reference*.

**Table 42. Parallel Data Acquisition Port (PDAP)**

Parameter	Min	Max	Unit
<i>Timing Requirements</i>			
$t_{SPHOLD}^1$ PDAP_HOLD Setup Before PDAP_CLK Sample Edge	2.5		ns
$t_{HPHOLD}^1$ PDAP_HOLD Hold After PDAP_CLK Sample Edge	2.5		ns
$t_{PDS}^1$ PDAP_DAT Setup Before Serial Clock PDAP_CLK Sample Edge	3.85		ns
$t_{PDHD}^1$ PDAP_DAT Hold After Serial Clock PDAP_CLK Sample Edge	2.5		ns
$t_{PDCLKW}$ Clock Width	$(t_{PCLK} \times 4) \div 2 - 3$		ns
$t_{PDCLK}$ Clock Period	$t_{PCLK} \times 4$		ns
<i>Switching Characteristics</i>			
$t_{PDHLDD}$ Delay of PDAP Strobe After Last PDAP_CLK Capture Edge for a Word	$2 \times t_{PCLK} + 3$		ns
$t_{PDSTRB}$ PDAP Strobe Pulse Width	$2 \times t_{PCLK} - 1$		ns

<sup>1</sup> The 20 bits of external PDAP data can be provided through the AMI\_ADDR23-4 or DAI pins. Source pins for serial clock and frame sync are 1) AMI\_ADDR3-2 pins, 2) DAI pins.

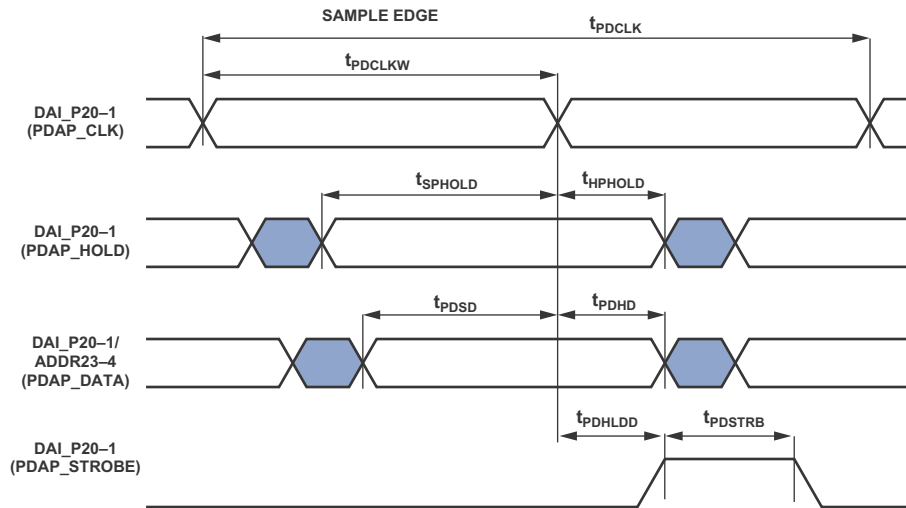


Figure 30. PDAP Timing

## Sample Rate Converter—Serial Input Port

The ASRC input signals are routed from the DAI\_P20–1 pins using the SRU. Therefore, the timing specifications provided in [Table 43](#) are valid at the DAI\_P20–1 pins.

**Table 43. ASRC, Serial Input Port**

Parameter	Min	Max	Unit
<i>Timing Requirements</i>			
$t_{SRCSFS}^1$	4		ns
$t_{SRCHFS}^1$	5.5		ns
$t_{SRCSD}^1$	4		ns
$t_{SRCHD}^1$	5.5		ns
$t_{SRCLKW}$		$(t_{PCLK} \times 4) \div 2 - 1$	ns
$t_{SRCLK}$		$t_{PCLK} \times 4$	ns

<sup>1</sup> The serial clock, data, and frame sync signals can come from any of the DAI pins. The serial clock and frame sync signals can also come via PCG or SPORTs. The PCG's input can be either CLKIN or any of the DAI pins.

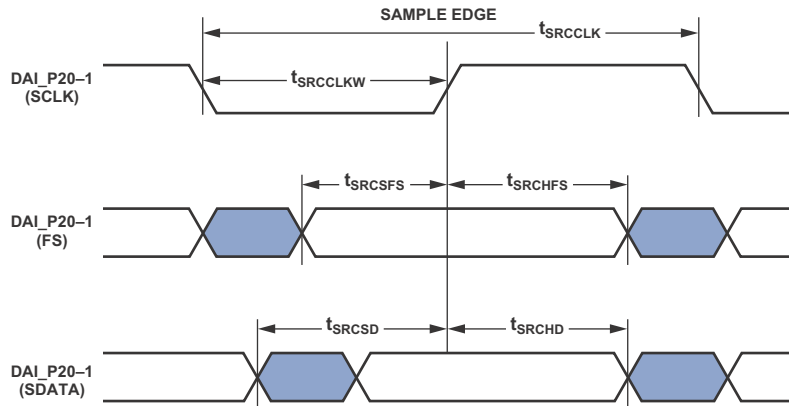


Figure 31. ASRC Serial Input Port Timing

# ADSP-21467/ADSP-21469

## Sample Rate Converter—Serial Output Port

For the serial output port, the frame sync is an input and it should meet setup and hold times with regard to the serial clock on the output port. The serial data output has a hold time and

delay specification with regard to serial clock. Note that the serial clock rising edge is the sampling edge, and the falling edge is the drive edge.

**Table 44. ASRC, Serial Output Port**

Parameter	Min	Max	Unit
<i>Timing Requirements</i>			
$t_{SRCSFS}^1$	4		ns
$t_{SRCHFS}^1$	5.5		ns
$t_{SRCCLKW}$	$(t_{PCLK} \times 4) \div 2 - 1$		ns
$t_{SRCCLK}$	$t_{PCLK} \times 4$		ns
<i>Switching Characteristics</i>			
$t_{SRCTDD}^1$		9.9	ns
$t_{SRCTDH}^1$	1		ns

<sup>1</sup> The serial clock, data, and frame sync signals can come from any of the DAI pins. The serial clock and frame sync signals can also come via PCG or SPORTs. The PCG's input can be either CLKIN or any of the DAI pins.

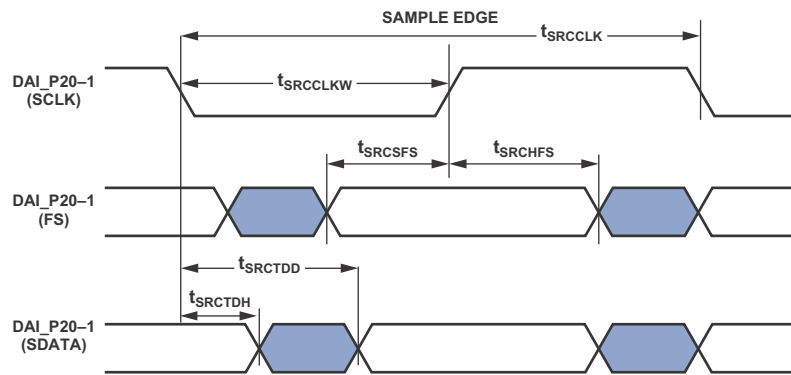


Figure 32. ASRC Serial Output Port Timing



## Pulse-Width Modulation (PWM) Generators

The following timing specifications apply when the AML\_ADDR23–8 pins are configured as PWM.

**Table 45. Pulse-Width Modulation (PWM) Timing**

Parameter	Min	Max	Unit
<i>Switching Characteristics</i>			
$t_{PWMW}$ PWM Output Pulse Width	$t_{PCLK} - 2$	$(2^{16} - 2) \times t_{PCLK} - 2$	ns
$t_{PWMP}$ PWM Output Period	$2 \times t_{PCLK} - 1.5$	$(2^{16} - 1) \times t_{PCLK} - 1.5$	ns

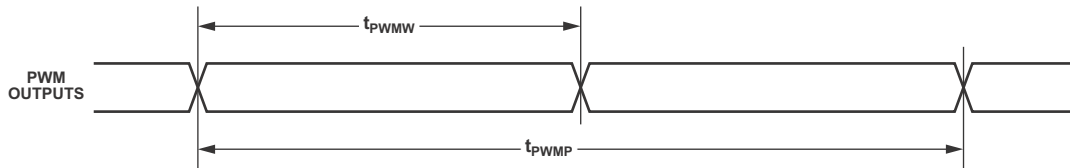


Figure 33. PWM Timing

# ADSP-21467/ADSP-21469

## S/PDIF Transmitter

Serial data input to the S/PDIF transmitter can be formatted as left-justified, I<sup>2</sup>S, or right-justified with word widths of 16, 18, 20, or 24 bits. The following sections provide timing for the transmitter.

### S/PDIF Transmitter-Serial Input Waveforms

Figure 34 shows the right-justified mode. LRCLK is high for the left channel and low for the right channel. Data is valid on the rising edge of serial clock. The MSB is delayed minimum in 24-bit output mode or maximum in 16-bit output mode from an LRCLK transition, so that when there are 64 serial clock periods per LRCLK period, the LSB of the data will be right-justified to the next LRCLK transition.

Figure 35 shows the default I<sup>2</sup>S-justified mode. LRCLK is low for the left channel and HI for the right channel. Data is valid on the rising edge of serial clock. The MSB is left-justified to an LRCLK transition but with a delay.

Figure 36 shows the left-justified mode. LRCLK is high for the left channel and LO for the right channel. Data is valid on the rising edge of serial clock. The MSB is left-justified to an LRCLK transition with no delay.

Table 46. S/PDIF Transmitter Right-Justified Mode

Parameter	Nominal	Unit
<i>Timing Requirement</i>		
$t_{RJD}$	LRCLK to MSB Delay in Right-Justified Mode	
	16-Bit Word Mode	16 SCLK
	18-Bit Word Mode	14 SCLK
	20-Bit Word Mode	12 SCLK
	24-Bit Word Mode	8 SCLK

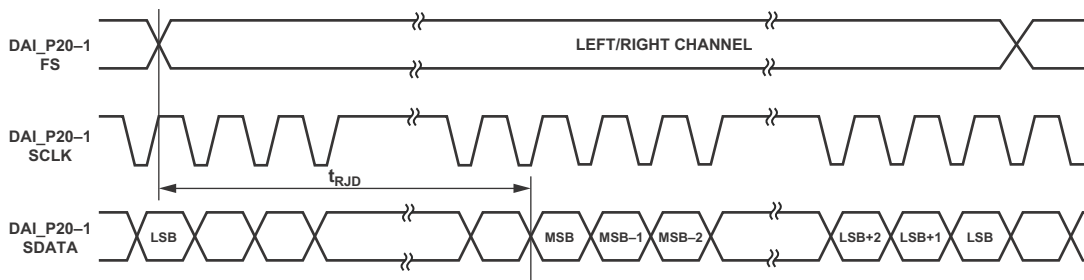


Figure 34. Right-Justified Mode

Table 47. S/PDIF Transmitter I<sup>2</sup>S Mode

Parameter	Nominal	Unit
<i>Timing Requirement</i>		
$t_{I2SD}$	LRCLK to MSB Delay in I <sup>2</sup> S Mode	1 SCLK

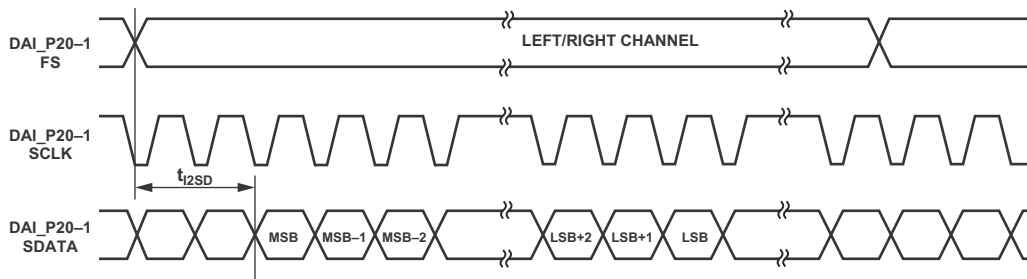


Figure 35. I<sup>2</sup>S-Justified Mode

**Table 48. S/PDIF Transmitter Left-Justified Mode**

Parameter	Nominal	Unit
<i>Timing Requirement</i>		
$t_{LJD}$ LRCLK to MSB Delay in Left-Justified Mode	0	SCLK

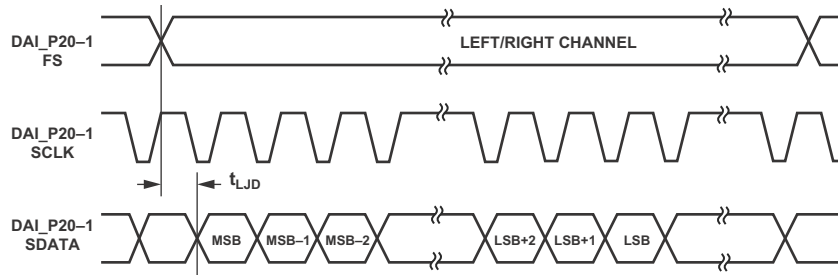


Figure 36. Left-Justified Mode

### S/PDIF Transmitter Input Data Timing

The timing requirements for the S/PDIF transmitter are given in Table 49. Input signals are routed to the DAI\_P20-1 pins using the SRU. Therefore, the timing specifications provided below are valid at the DAI\_P20-1 pins.

**Table 49. S/PDIF Transmitter Input Data Timing**

Parameter	Min	Max	Unit
<i>Timing Requirements</i>			
$t_{SISFS}^1$ Frame Sync Setup Before Serial Clock Rising Edge	3		ns
$t_{SIHFS}^1$ Frame Sync Hold After Serial Clock Rising Edge	3		ns
$t_{SISD}^1$ Data Setup Before Serial Clock Rising Edge	3		ns
$t_{SIHD}^1$ Data Hold After Serial Clock Rising Edge	3		ns
$t_{SITXCLKW}$ Transmit Clock Width	9		ns
$t_{SITXCLK}$ Transmit Clock Period	20		ns
$t_{SISCLKW}$ Clock Width	36		ns
$t_{SISCLK}$ Clock Period	80		ns

<sup>1</sup>The serial clock, data, and frame sync signals can come from any of the DAI pins. The serial clock and frame sync signals can also come via PCG or SPORTs. The PCG's input can be either CLKIN or any of the DAI pins.

# ADSP-21467/ADSP-21469

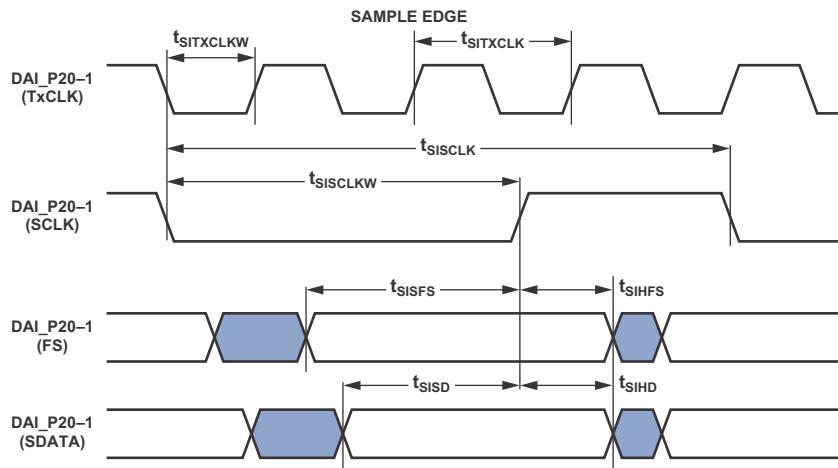


Figure 37. S/PDIF Transmitter Input Timing

## Oversampling Clock (HFCLK) Switching Characteristics

The S/PDIF transmitter has an oversampling clock. This HFCLK input is divided down to generate the biphase clock.

Table 50. Oversampling Clock (HFCLK) Switching Characteristics

Parameter	Max	Unit
HFCLK Frequency for HFCLK = 384 × Frame Sync	$\text{Oversampling Ratio} \times \text{Frame Sync} \leq 1/t_{\text{SIHFCLK}}$	MHz
HFCLK Frequency for HFCLK = 256 × Frame Sync	49.2	MHz
Frame Rate (FS)	192.0	kHz

## S/PDIF Receiver

The following section describes timing as it relates to the S/PDIF receiver.

### Internal Digital PLL Mode

In the internal digital phase-locked loop mode the internal PLL (digital PLL) generates the  $512 \times FS$  clock.

**Table 51. S/PDIF Receiver Internal Digital PLL Mode Timing**

Parameter		Min	Max	Unit
<i>Switching Characteristics</i>				
$t_{DFSI}$	LRCLK Delay After Serial Clock		5	ns
$t_{HOFSI}$	LRCLK Hold After Serial Clock	-2		ns
$t_{DDTI}$	Transmit Data Delay After Serial Clock		5	ns
$t_{HDTI}$	Transmit Data Hold After Serial Clock	-2		ns
$t_{SCLKIW}^1$	Transmit Serial Clock Width	$8 \times t_{PCLK} - 2$		ns

<sup>1</sup>Serial clock frequency is  $64 \times$  Frame Sync, where FS = the frequency of LRCLK.

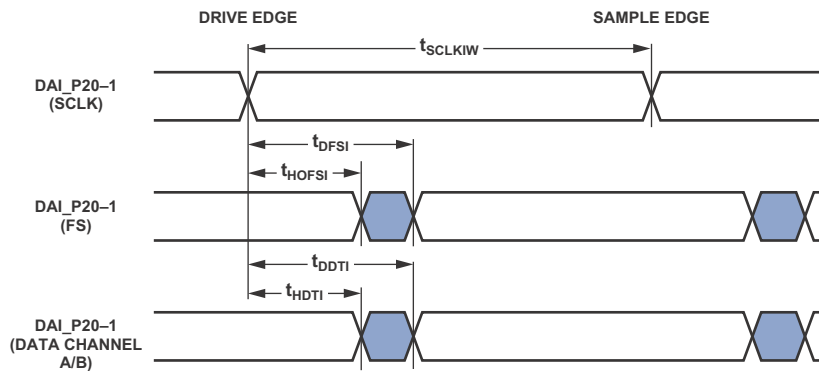


Figure 38. S/PDIF Receiver Internal Digital PLL Mode Timing

# ADSP-21467/ADSP-21469

## SPI Interface—Master

The processor contains two SPI ports. Both primary and secondary are available through DPI only. The timing provided in Table 52 and Table 53 applies to both.

Table 52. SPI Interface Protocol—Master Switching and Timing Specifications

Parameter		Min	Max	Unit
<i>Timing Requirements</i>				
$t_{SSPIDM}$	Data Input Valid to SPICLK Edge (Data Input Setup Time)	8.2		ns
$t_{HSPIDM}$	SPICLK Last Sampling Edge to Data Input Not Valid	2		ns
<i>Switching Characteristics</i>				
$t_{SPICLKM}$	Serial Clock Cycle	$8 \times t_{PCLK} - 2$		ns
$t_{SPICHM}$	Serial Clock High Period	$4 \times t_{PCLK} - 2$		ns
$t_{SPICLM}$	Serial Clock Low Period	$4 \times t_{PCLK} - 2$		ns
$t_{DDSPIDM}$	SPICLK Edge to Data Out Valid (Data Out Delay Time)		2.5	ns
$t_{HDSPIDM}$	SPICLK Edge to Data Out Not Valid (Data Out Hold Time)	$4 \times t_{PCLK} - 2$		ns
$t_{SDSCIM}$	DPI Pin (SPI Device Select) Low to First SPICLK Edge	$4 \times t_{PCLK} - 2$		ns
$t_{HDSM}$	Last SPICLK Edge to DPI Pin (SPI Device Select) High	$4 \times t_{PCLK} - 2$		ns
$t_{SPITDM}$	Sequential Transfer Delay	$4 \times t_{PCLK} - 1$		ns

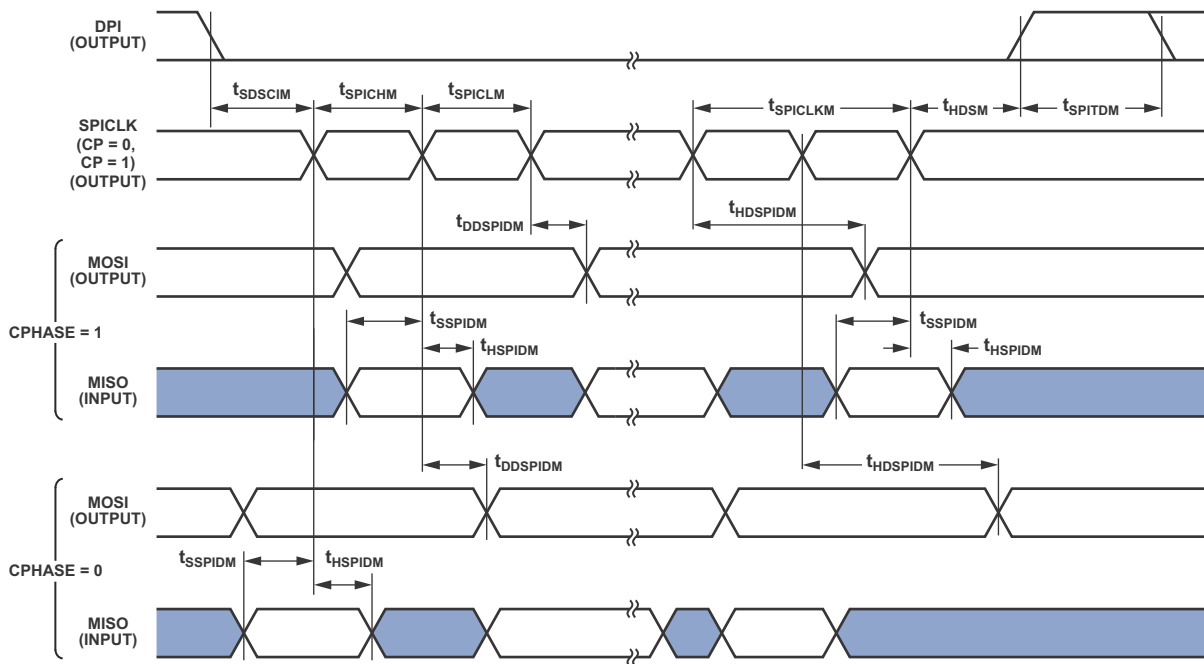


Figure 39. SPI Master Timing

## SPI Interface—Slave

**Table 53. SPI Interface Protocol—Slave Switching and Timing Specifications**

Parameter		Min	Max	Unit
<i>Timing Requirements</i>				
$t_{SPICLK}$	Serial Clock Cycle	$4 \times t_{pCLK} - 2$		ns
$t_{SPICHS}$	Serial Clock High Period	$2 \times t_{pCLK} - 2$		ns
$t_{SPICLS}$	Serial Clock Low Period	$2 \times t_{pCLK} - 2$		ns
$t_{SDSCO}$	$\overline{SPIDS}$ Assertion to First SPICLK Edge, CPHASE = 0 or CPHASE = 1	$2 \times t_{pCLK}$		ns
$t_{HDS}$	Last SPICLK Edge to $\overline{SPIDS}$ Not Asserted, CPHASE = 0	$2 \times t_{pCLK}$		ns
$t_{SSPIDS}$	Data Input Valid to SPICLK Edge (Data Input Setup Time)	2		ns
$t_{HSPIDS}$	SPICLK Last Sampling Edge to Data Input Not Valid	2		ns
$t_{SDPPW}$	$\overline{SPIDS}$ Deassertion Pulse Width (CPHASE = 0)	$2 \times t_{pCLK}$		ns
<i>Switching Characteristics</i>				
$t_{DSOE}$	$\overline{SPIDS}$ Assertion to Data Out Active	0	6.8	ns
$t_{DSOE}^1$	$\overline{SPIDS}$ Assertion to Data Out Active (SPI2)	0	8	ns
$t_{DSDHI}$	$\overline{SPIDS}$ Deassertion to Data High Impedance	0	10.5	ns
$t_{DSDHI}^1$	$\overline{SPIDS}$ Deassertion to Data High Impedance (SPI2)	0	10.5	ns
$t_{DDSPIDS}$	SPICLK Edge to Data Out Valid (Data Out Delay Time)		9.5	ns
$t_{HDSPIDS}$	SPICLK Edge to Data Out Not Valid (Data Out Hold Time)	$2 \times t_{pCLK}$		ns
$t_{DSOV}$	$\overline{SPIDS}$ Assertion to Data Out Valid (CPHASE = 0)		$5 \times t_{pCLK}$	ns

<sup>1</sup>The timing for these parameters applies when the SPI is routed through the signal routing unit. For more information, see the processor hardware reference, “Serial Peripheral Interface Port” chapter.

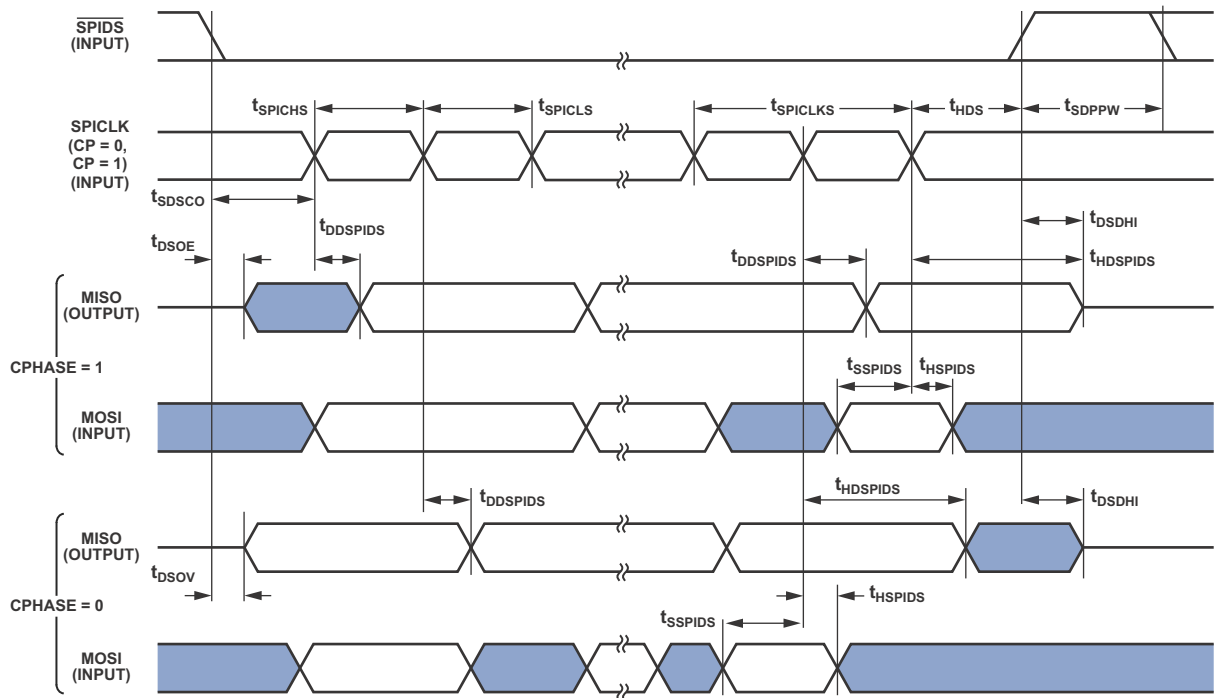


Figure 40. SPI Slave Timing

# ADSP-21467/ADSP-21469

## Media Local Bus

All the numbers given are applicable for all speed modes (1024 FS, 512 FS, and 256 FS for 3-pin; 512 FS and 256 FS for 5-pin) unless otherwise specified. Please refer to MediaLB specification document rev 3.0 for more details.

**Table 54. MLB Interface, 3-Pin Specifications**

Parameter	Min	Typ	Max	Unit
<i>3-Pin Characteristics</i>				
t <sub>MLBCLK</sub>	MLB Clock Period			
		1024 FS	20.3	ns
		512 FS	40	ns
	256 FS	81	ns	
t <sub>MCKL</sub>	MLBCLK Low Time			
		1024 FS	6.1	ns
		512 FS	14	ns
	256 FS	30	ns	
t <sub>MCKH</sub>	MLBCLK High Time			
		1024 FS	9.3	ns
		512 FS	14	ns
	256 FS	30	ns	
t <sub>MCKR</sub>	MLBCLK Rise Time (V <sub>IL</sub> to V <sub>IH</sub> )			
		1024 FS	1	ns
	512 FS/256 FS	3	ns	
t <sub>MCKF</sub>	MLBCLK Fall Time (V <sub>IH</sub> to V <sub>IL</sub> )			
		1024 FS	1	ns
	512 FS/256 FS	3	ns	
T <sub>MPWV</sub> <sup>1</sup>	MLBCLK Pulse Width Variation			
		1024 FS	0.7	ns p-p
	512 FS/256 FS	2.0	ns p-p	
t <sub>DSMCF</sub>	DAT/SIG Input Setup Time		1	ns
t <sub>DHMCf</sub>	DAT/SIG Input Hold Time		1	ns
t <sub>MCFDZ</sub>	DAT/SIG Output Time to Three-state		0	ns
t <sub>MCDRV</sub>	DAT/SIG Output Data Delay From MLBCLK Rising Edge		15	ns
t <sub>MDZH</sub> <sup>2</sup>	Bus Hold Time			
		1024 FS	2	ns
	512 FS/256 FS	4	ns	
C <sub>MLB</sub>	DAT/SIG Pin Load			
		1024 FS	40	pf
	512 FS/256 FS	60	pf	

<sup>1</sup>Pulse width variation is measured at 1.25 V by triggering on one edge of MLBCLK and measuring the spread on the other edge, measured in nanoseconds peak-to-peak (ns p-p).

<sup>2</sup>The board must be designed to ensure that the high impedance bus does not leave the logic state of the final driven bit for this time period. Therefore, coupling must be minimized while meeting the maximum capacitive load listed.



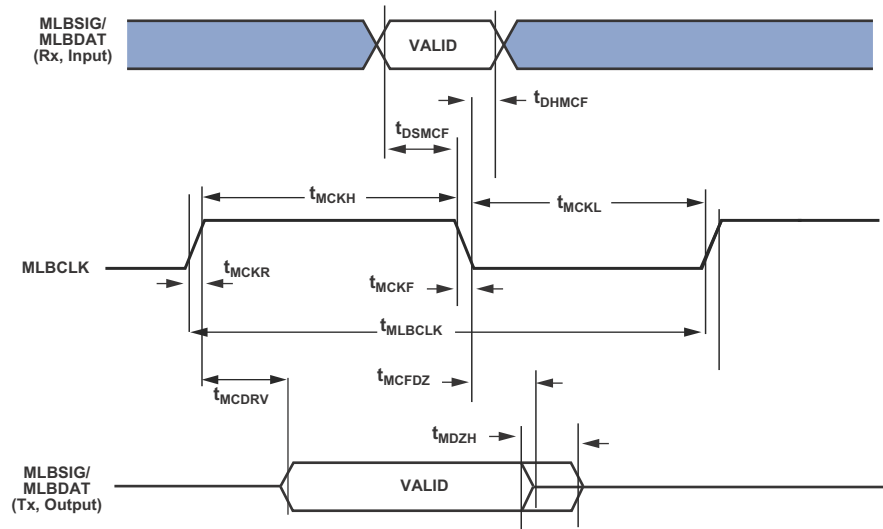


Figure 41. MLB Timing (3-Pin Interface)

Table 55. MLB Interface, 5-Pin Specifications

Parameter	Min	Typ	Max	Unit
<i>5-Pin Characteristics</i>				
$t_{MLBCLK}$ MLB Clock Period		40		ns
		81		ns
$t_{MCKL}$ MLBCLK Low Time	15			ns
	30			ns
$t_{MCKH}$ MLBCLK High Time	15			ns
	30			ns
$t_{MCKR}$ MLBCLK Rise Time ( $V_{IL}$ to $V_{IH}$ )			6	ns
$t_{MCKF}$ MLBCLK Fall Time ( $V_{IH}$ to $V_{IL}$ )			6	ns
$t_{MPWV}^1$ MLBCLK Pulse Width Variation			2	ns p-p
$t_{DSMCF}^2$ DAT/SIG Input Setup Time	3			ns
$t_{DHMCf}$ DAT/SIG Input Hold Time	5			ns
$t_{MCDRV}$ DS/DO Output Data Delay From MLBCLK Rising Edge			8	ns
$t_{MCRDL}^3$ DO/SO Low From MLBCLK High			10	ns
			20	ns
$C_{MLB}$ DS/DO Pin Load			40	pf

<sup>1</sup> Pulse width variation is measured at 1.25 V by triggering on one edge of MLBCLK and measuring the spread on the other edge, measured in nanoseconds peak-to-peak (ns p-p).

<sup>2</sup> Gate delays due to OR'ing logic on the pins must be accounted for.

<sup>3</sup> When a node is not driving valid data onto the bus, the MLBSO and MLBDO output lines shall remain low. If the output lines can float at anytime, including while in reset, external pull-down resistors are required to keep the outputs from corrupting the MediaLB signal lines when not being driven.

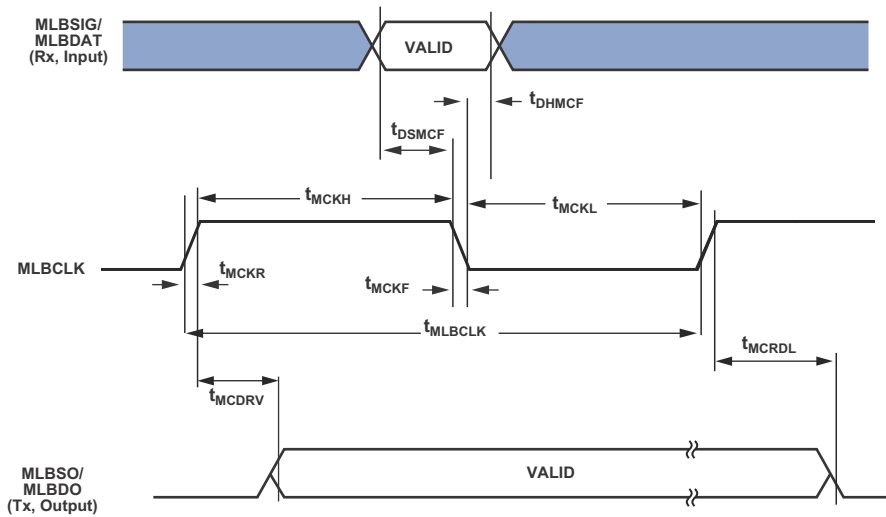


Figure 42. MLB Timing (5-Pin Interface)

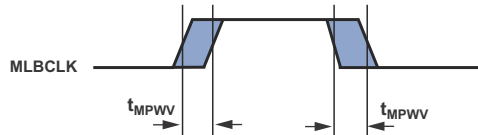


Figure 43. MLB 3-Pin and 5-Pin MLBCLK Pulse Width Variation Timing

## Universal Asynchronous Receiver-Transmitter (UART) Ports—Receive and Transmit Timing

For information on the UART port receive and transmit operations, see the *ADSP-214xx SHARC Hardware Reference Manual*.

## 2-Wire Interface (TWI)—Receive and Transmit Timing

For information on the TWI receive and transmit operations, see the *ADSP-214xx SHARC Hardware Reference Manual*.

## JTAG Test Access Port and Emulation

**Table 56. JTAG Test Access Port and Emulation**

Parameter	Min	Max	Unit
<i>Timing Requirements</i>			
$t_{TCK}$ TCK Period	20		ns
$t_{STAP}$ TDI, TMS Setup Before TCK High	5		ns
$t_{HTAP}$ TDI, TMS Hold After TCK High	6		ns
$t_{SSYS}^1$ System Inputs Setup Before TCK High	7		ns
$t_{HSYS}^1$ System Inputs Hold After TCK High	18		ns
$t_{TRSTW}$ $\overline{TRST}$ Pulse Width	$4 \times t_{CK}$		ns
<i>Switching Characteristics</i>			
$t_{DTDO}$ TDO Delay from TCK Low		10	ns
$t_{DSYS}^2$ System Outputs Delay After TCK Low		$t_{CK} \div 2 + 7$	ns

<sup>1</sup>System Inputs = AMI\_DATA, DDR2\_DATA, CLKCFG1-0, BOOTCFG2-0 RESET, DAI, DPI, FLAG3-0.

<sup>2</sup>System Outputs = AMI\_ADDR/DATA, DDR2\_ADDR/DATA, AMI\_CTRL, DDR2\_CTRL, DAI, DPI, FLAG3-0, EMU.

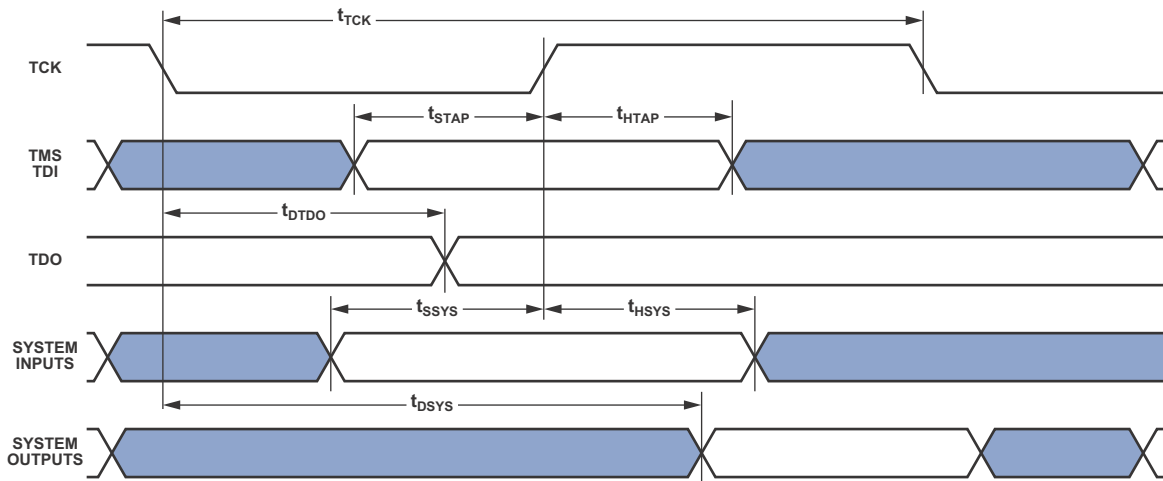


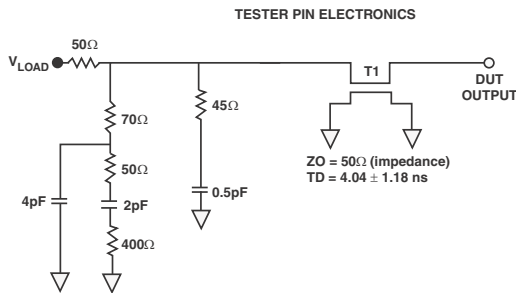
Figure 44. IEEE 1149.1 JTAG Test Access Port

# ADSP-21467/ADSP-21469

## TEST CONDITIONS

The ac signal specifications (timing parameters) appear in Table 20 on Page 26 through Table 56 on Page 59. These include output disable time, output enable time, and capacitive loading. The timing specifications for the SHARC apply for the voltage reference levels in Figure 45.

Timing is measured on signals when they cross the  $V_{MEAS}$  level as described in Figure 46. All delays (in nanoseconds) are measured between the point that the first signal reaches  $V_{MEAS}$  and the point that the second signal reaches  $V_{MEAS}$ . The value of  $V_{MEAS}$  is 1.5 V for non-DDR pins and 0.9 V for DDR pins.



NOTES:  
THE WORST-CASE TRANSMISSION LINE DELAY IS SHOWN AND CAN BE USED FOR THE OUTPUT TIMING ANALYSIS TO REFLECT THE TRANSMISSION LINE EFFECT AND MUST BE CONSIDERED. THE TRANSMISSION LINE (TD) IS FOR LOAD ONLY AND DOES NOT AFFECT THE DATA SHEET TIMING SPECIFICATIONS.  
ANALOG DEVICES RECOMMENDS USING THE IBIS MODEL TIMING FOR A GIVEN SYSTEM REQUIREMENT. IF NECESSARY, A SYSTEM MAY INCORPORATE EXTERNAL DRIVERS TO COMPENSATE FOR ANY TIMING DIFFERENCES.

Figure 45. Equivalent Device Loading for AC Measurements (Includes All Fixtures)



Figure 46. Voltage Reference Levels for AC Measurements

## OUTPUT DRIVE CURRENTS

Figure 47 and Figure 47 shows typical I-V characteristics for the output drivers of the processor, and Table 57 shows the pins associated with each driver. The curves represent the current drive capability of the output drivers as a function of output voltage.

Table 57. Driver Types

Driver Type	Associated Pins
A	LACK1-0, LDAT0[7:0], LDAT1[7:0], MLBCLK, MLBDAT, MLBDO, MLBSIG, MLBSO, AMI_ACK, AMI_ADDR23-0, AMI_DATA7-0, AMI_MS1-0, AMI_RD, AMI_WR, DAI_P, DPI_P, EMU, FLAG3-0, RESETOUT, TDO
B	LCLK1-0
C	DDR2_ADDR15-0, DDR2_BA2-0, DDR2_CAS, DDR2_CKE, DDR2_CS3-0, DDR2_DATA15-0, DDR2_DM1-0, DDR2_ODT, DDR2_RAS, DDR2_WE
D (TRUE)	DDR2_CLK1-0, DDR2_DQS1-0
D (COMP)	DDR2_CLK1-0, DDR2_DQS1-0

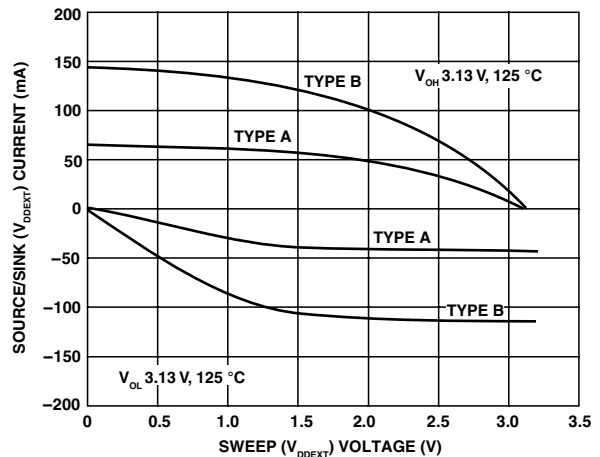


Figure 47. Output Buffer Characteristics (Worst-Case Non-DDR2)

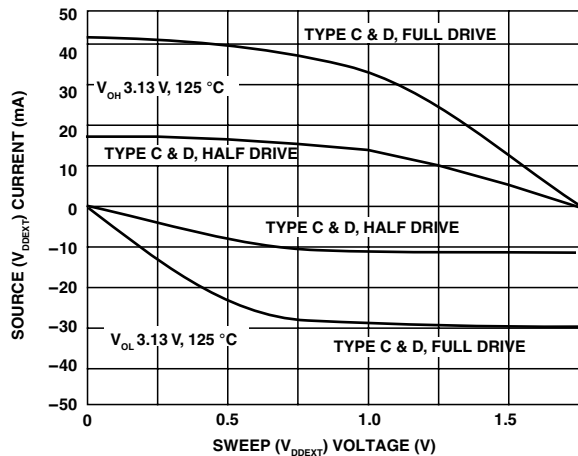


Figure 48. Output Buffer Characteristics (Worst-Case DDR2)

## CAPACITIVE LOADING

Output delays and holds are based on standard capacitive loads: 30 pF on all pins (see Table 57). Figure 53 through Figure 58 show graphically how output delays and holds vary with load capacitance. The graphs of Figure 49 through Figure 58 may not be linear outside the ranges shown for Typical Output Delay vs. Load Capacitance and Typical Output Rise Time (20% to 80%,  $V = \text{Min}$ ) vs. Load Capacitance.

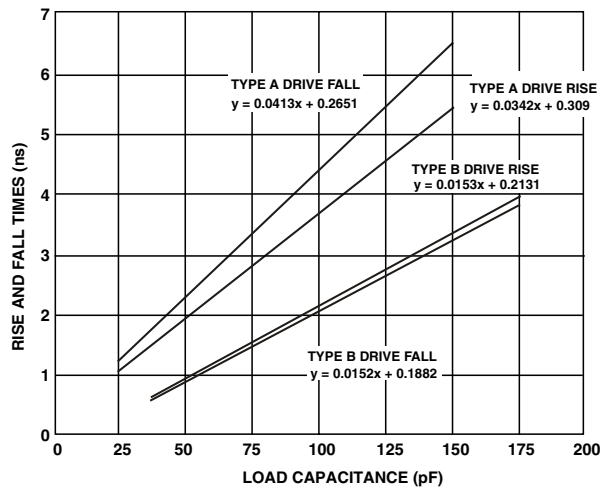


Figure 49. Typical Output Rise/Fall Time Non-DDR2 (20% to 80%,  $V_{DD\_EXT} = \text{Max}$ )

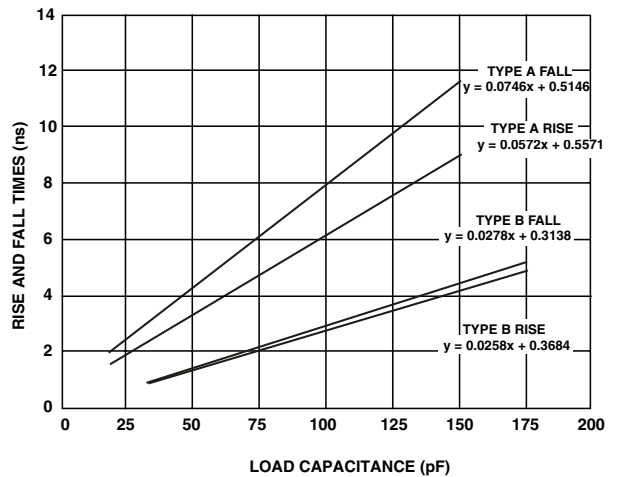


Figure 50. Typical Output Rise/Fall Time Non-DDR2 (20% to 80%,  $V_{DD\_EXT} = \text{Min}$ )

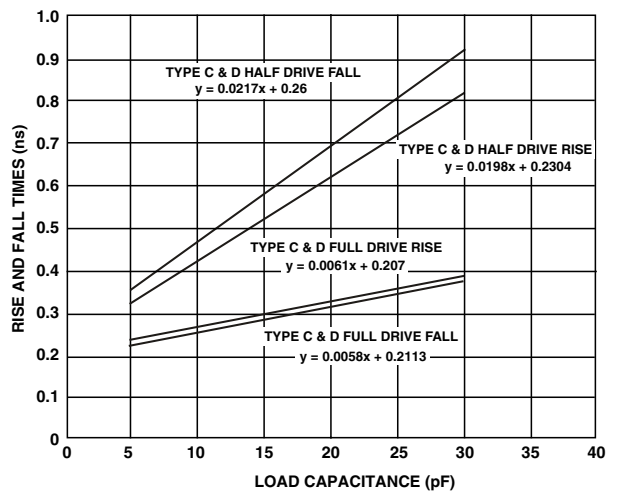


Figure 51. Typical Output Rise/Fall Time DDR2 (20% to 80%,  $V_{DD\_EXT} = \text{Max}$ )

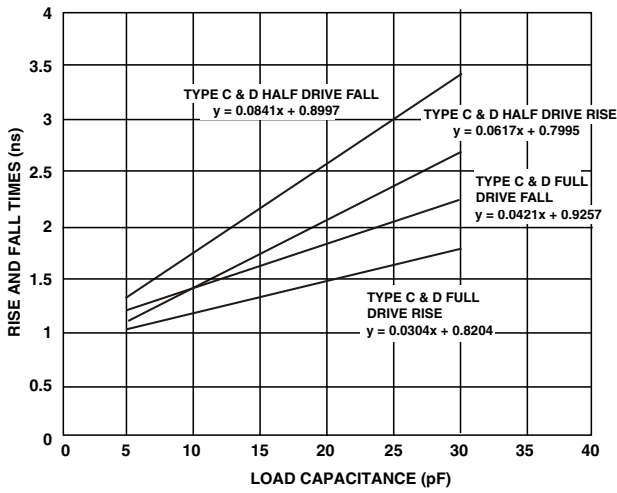


Figure 52. Typical Output Rise/Fall Time DDR2  
(20% to 80%,  $V_{DD\_EXT} = \text{Min}$ )

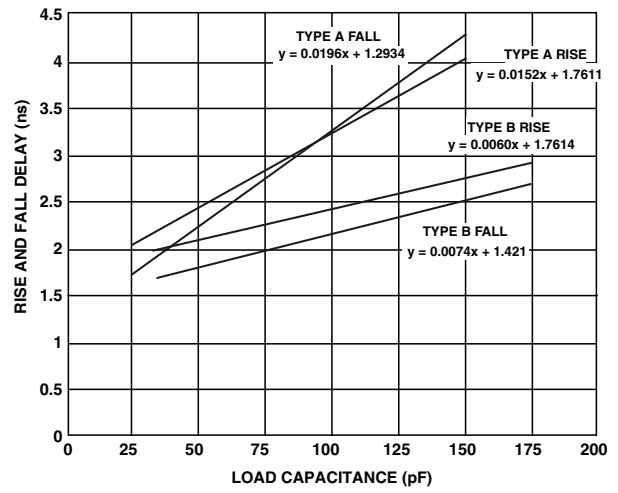


Figure 54. Typical Output Rise/Fall Delay Non-DDR  
( $V_{DD\_EXT} = \text{Max}$ )

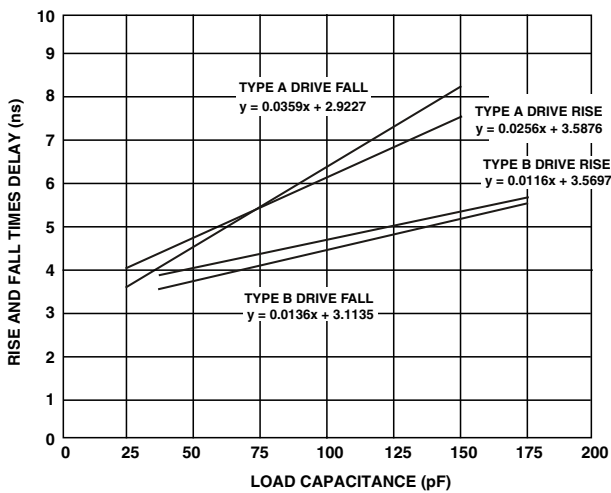


Figure 53. Typical Output Rise/Fall Delay Non-DDR  
( $V_{DD\_EXT} = \text{Min}$ )

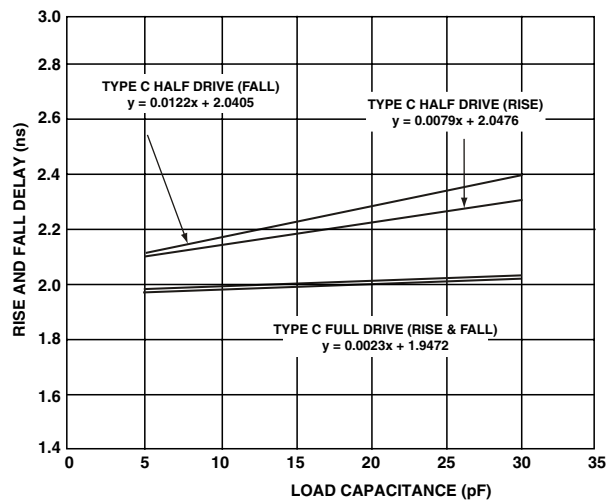


Figure 55. Typical Output Rise/Fall Delay DDR Pad C  
( $V_{DD\_EXT} = \text{Min}$ )

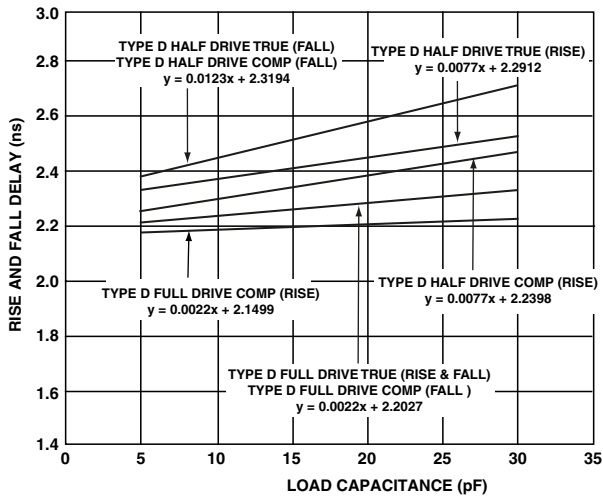


Figure 56. Typical Output Rise/Fall Delay DDR Pad D  
( $V_{DD\_EXT} = \text{Min}$ )

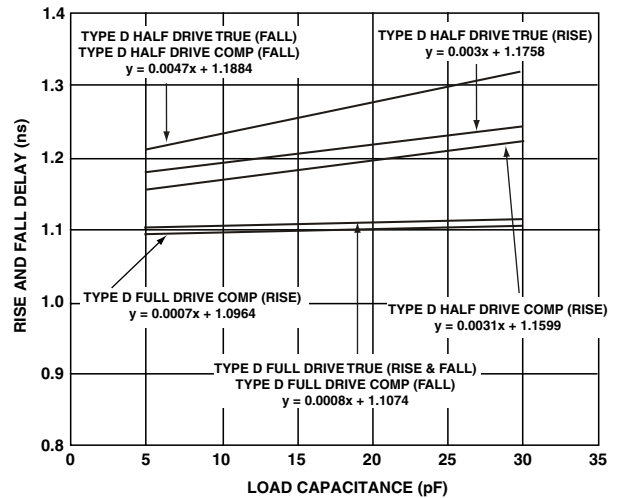


Figure 58. Typical Output Rise/Fall Delay DDR Pad D  
( $V_{DD\_EXT} = \text{Max}$ )

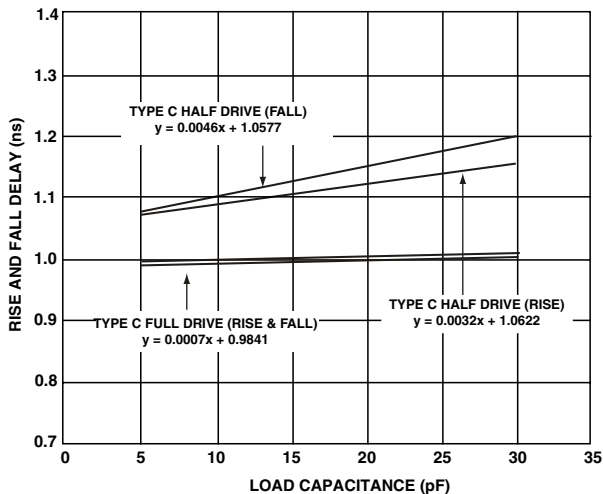


Figure 57. Typical Output Rise/Fall Delay DDR Pad C  
( $V_{DD\_EXT} = \text{Max}$ )

## THERMAL CHARACTERISTICS

The processors are rated for performance  $P_D$  over the temperature range specified in [Operating Conditions on Page 18](#).

[Table 58](#) airflow measurements comply with JEDEC standards JESD51-2 and JESD51-6, and the junction-to-board measurement complies with JESD51-8. Test board design complies with JEDEC standards JESD51-7 (CSP\_BGA). The junction-to-case measurement complies with MIL-STD-883. All measurements use a 2S2P JEDEC test board.

To determine the junction temperature of the device while on the application PCB use:

$T_J$  = junction temperature ( $^{\circ}\text{C}$ )

$$T_J = T_{CASE} + (\Psi_{JT} \times P_D)$$

where:

$T_{CASE}$  = case temperature ( $^{\circ}\text{C}$ ) measured at the top center of the package

$\Psi_{JT}$  = junction-to-top (of package) characterization parameter is the typical value from [Table 58](#).

$P_D$  = power dissipation

Values of  $\theta_{JA}$  are provided for package comparison and PCB design considerations.  $\theta_{JA}$  can be used for a first order approximation of  $T_J$  by the equation:

$$T_J = T_A + (\theta_{JA} \times P_D)$$

where:

$T_A$  = ambient temperature  $^{\circ}\text{C}$

Values of  $\theta_{JC}$  are provided for package comparison and PCB design considerations when an external heat sink is required.

# ADSP-21467/ADSP-21469

Values of  $\theta_{JB}$  are provided for package comparison and PCB design considerations. Note that the thermal characteristics values provided in Table 58 are modeled values.

**Table 58. Thermal Characteristics for 324-Lead CSP\_BGA**

Parameter	Condition	Typical	Unit
$\theta_{JA}$	Airflow = 0 m/s	22.7	°C/W
$\theta_{JMA}$	Airflow = 1 m/s	20.4	°C/W
$\theta_{JMA}$	Airflow = 2 m/s	19.5	°C/W
$\theta_{JC}$		6.6	°C/W
$\Psi_{JT}$	Airflow = 0 m/s	0.11	°C/W
$\Psi_{JMT}$	Airflow = 1 m/s	0.19	°C/W
$\Psi_{JMT}$	Airflow = 2 m/s	0.24	°C/W

## Thermal Diode

The processor incorporate thermal diodes to monitor the die temperature. The thermal diode of is a grounded collector PNP bipolar junction transistor (BJT). The THD\_P pin is connected to the emitter and the THD\_M pin is connected to the base of the transistor. These pins can be used by an external temperature sensor (such as ADM 1021A or LM86, or others) to read the die temperature of the chip.

**Table 59. Thermal Diode Parameters—Transistor Model<sup>1</sup>**

Symbol	Parameter	Min	Typ	Max	Unit
$I_{FW}^2$	Forward Bias Current	10		300	μA
$I_E$	Emitter Current	10		300	μA
$n_Q^{3,4}$	Transistor Ideality	1.012	1.015	1.017	
$R_T^{4,5}$	Series Resistance	0.12	0.2	0.28	Ω

<sup>1</sup>See the Engineer-to-Engineer Note EE-346.

<sup>2</sup>Analog Devices does not recommend operation of the thermal diode under reverse bias.

<sup>3</sup>Not 100% tested. Specified by design characterization.

<sup>4</sup>The ideality factor,  $n_Q$ , represents the deviation from ideal diode behavior as exemplified by the diode equation:  $I_C = I_S \times (e^{qV_{BE}/nqkT} - 1)$ , where  $I_S$  = saturation current,  $q$  = electronic charge,  $V_{BE}$  = voltage across the diode,  $k$  = Boltzmann Constant, and  $T$  = absolute temperature (Kelvin).

<sup>5</sup>The series resistance ( $R_T$ ) can be used for more accurate readings as needed.

The technique used by the external temperature sensor is to measure the change in  $V_{BE}$  when the thermal diode is operated at two different currents. This is shown in the following equation:

$$\Delta V_{BE} = n \times \frac{kT}{q} \times \ln(N)$$

where:

$n$  = multiplication factor close to 1, depending on process variations

$k$  = Boltzmann's constant

$T$  = temperature (°C)

$q$  = charge of the electron

$N$  = ratio of the two currents

The two currents are usually in the range of 10 μA to 300 μA for the common temperature sensor chips available.

Table 59 contains the thermal diode specifications using the transistor model. Note that Measured Ideality Factor already takes into effect variations in beta ( $\beta$ ).



## CSP\_BGA BALL ASSIGNMENT—AUTOMOTIVE MODELS

Table 60 lists the automotive CSP\_BGA ball assignments by signal.

**Table 60. CSP\_BGA Ball Assignment (Alphabetical by Signal)**

Signal	Ball No.	Signal	Ball No.	Signal	Ball No.	Signal	Ball No.
AGND	H02	CLK_CFG0	G01	DDR2_BA1	C17	DPI_P04	R01
AMI_ACK	R10	CLK_CFG1	G02	DDR2_BA2	B18	DPI_P05	P01
AMI_ADDR0	V16	CLKIN	L01	DDR2_CAS	C07	DPI_P06	P02
AMI_ADDR01	U16	DAI_P01	R06	DDR2_CKE	E01	DPI_P07	P03
AMI_ADDR02	T16	DAI_P02	V05	DDR2_CLK0	A07	DPI_P08	P04
AMI_ADDR03	R16	DAI_P03	R07	DDR2_CLK0	B07	DPI_P09	N01
AMI_ADDR04	V15	DAI_P04	R03	DDR2_CLK1	A13	DPI_P10	N02
AMI_ADDR05	U15	DAI_P05	U05	DDR2_CLK1	B13	DPI_P11	N03
AMI_ADDR06	T15	DAI_P06	T05	DDR2_CS0	C01	DPI_P12	N04
AMI_ADDR07	R15	DAI_P07	V06	DDR2_CS1	D01	DPI_P13	M03
AMI_ADDR08	V14	DAI_P08	V02	DDR2_CS2	C02	DPI_P14	M04
AMI_ADDR09	U14	DAI_P09	R05	DDR2_CS3	D02	EMU	K02
AMI_ADDR10	T14	DAI_P10	V04	DDR2_DATA0	B02	FLAG0	R08
AMI_ADDR11	R14	DAI_P11	U04	DDR2_DATA01	A02	FLAG1	V07
AMI_ADDR12	V13	DAI_P12	T04	DDR2_DATA02	B03	FLAG2	U07
AMI_ADDR13	U13	DAI_P13	U06	DDR2_DATA03	A03	FLAG3	T07
AMI_ADDR14	T13	DAI_P14	U02	DDR2_DATA04	B05	GND	A01
AMI_ADDR15	R13	DAI_P15	R04	DDR2_DATA05	A05	GND	A18
AMI_ADDR16	V12	DAI_P16	V03	DDR2_DATA06	B06	GND	C04
AMI_ADDR17	U12	DAI_P17	U03	DDR2_DATA07	A06	GND	C06
AMI_ADDR18	T12	DAI_P18	T03	DDR2_DATA08	B08	GND	C08
AMI_ADDR19	R12	DAI_P19	T06	DDR2_DATA09	A08	GND	D05
AMI_ADDR20	V11	DAI_P20	T02	DDR2_DATA10	B09	GND	D07
AMI_ADDR21	U11	DDR2_ADDR0	D13	DDR2_DATA11	A09	GND	D09
AMI_ADDR22	T11	DDR2_ADDR01	C13	DDR2_DATA12	A11	GND	D10
AMI_ADDR23	R11	DDR2_ADDR02	D14	DDR2_DATA13	B11	GND	D17
AMI_DATA0	U18	DDR2_ADDR03	C14	DDR2_DATA14	A12	GND	E03
AMI_DATA1	T18	DDR2_ADDR04	B14	DDR2_DATA15	B12	GND	E05
AMI_DATA2	R18	DDR2_ADDR05	A14	DDR2_DM0	C03	GND	E12
AMI_DATA3	P18	DDR2_ADDR06	D15	DDR2_DM1	C11	GND	E13
AMI_DATA4	V17	DDR2_ADDR07	C15	DDR2_DQS0	A04	GND	E16
AMI_DATA5	U17	DDR2_ADDR08	B15	DDR2_DQS0	B04	GND	F01
AMI_DATA6	T17	DDR2_ADDR09	A15	DDR2_DQS1	A10	GND	F02
AMI_DATA7	R17	DDR2_ADDR10	D16	DDR2_DQS1	B10	GND	F04
AMI_MS0	T10	DDR2_ADDR11	C16	DDR2_ODT	B01	GND	F14
AMI_MS1	U10	DDR2_ADDR12	B16	DDR2_RAS	C09	GND	F16
AMI_RD	J04	DDR2_ADDR13	A16	DDR2_WE	C10	GND	G05
AMI_WR	V10	DDR2_ADDR14	B17	DPI_P01	R02	GND	G07
BOOT_CFG0	J02	DDR2_ADDR15	A17	DPI_P02	U01	GND	G08
BOOT_CFG1	J03	DDR2_BA0	C18	DPI_P03	T01	GND	G09

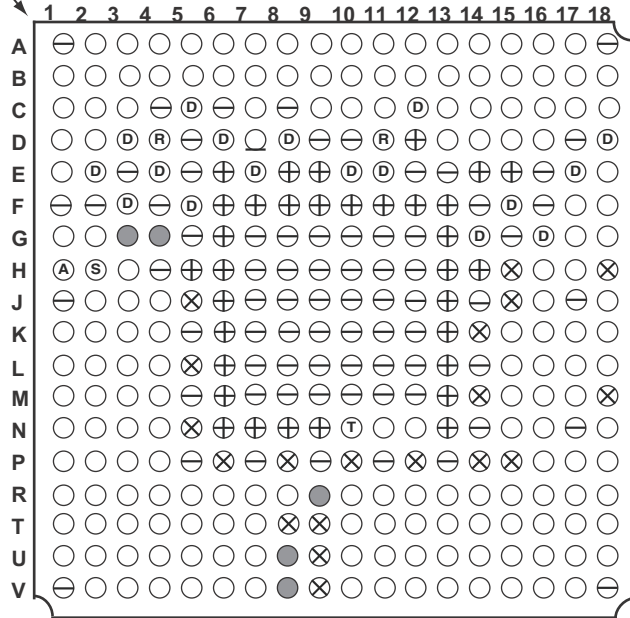
# ADSP-21467/ADSP-21469

Table 60. CSP\_BGA Ball Assignment (Alphabetical by Signal) (Continued)

Signal	Ball No.	Signal	Ball No.	Signal	Ball No.	Signal	Ball No.
GND	G10	GND	P05	$\overline{\text{TRST}}$	N15	VDD_INT	E09
GND	G11	GND	P07	VDD_A	H01	VDD_INT	E14
GND	G12	GND	P09	VDD_DDR2	C05	VDD_INT	E15
GND	G15	GND	P11	VDD_DDR2	C12	VDD_INT	F06
GND	H04	GND	P13	VDD_DDR2	D03	VDD_INT	F07
GND	H07	GND	V01	VDD_DDR2	D06	VDD_INT	F08
GND	H08	GND	V18	VDD_DDR2	D08	VDD_INT	F09
GND	H09	GND	R09	VDD_DDR2	D18	VDD_INT	F10
GND	H10	GND/ID0 <sup>1</sup>	G03	VDD_DDR2	E02	VDD_INT	F11
GND	H11	GND/ID1 <sup>1</sup>	G04	VDD_DDR2	E04	VDD_INT	F12
GND	H12	LACK_0	K17	VDD_DDR2	E07	VDD_INT	F13
GND	J01	LACK_1	P17	VDD_DDR2	E10	VDD_INT	G06
GND	J07	LCLK_0	J18	VDD_DDR2	E11	VDD_INT	G13
GND	J08	LCLK_1	N18	VDD_DDR2	E17	VDD_INT	H05
GND	J09	LDAT0_0	E18	VDD_DDR2	F03	VDD_INT	H06
GND	J10	LDAT0_1	F17	VDD_DDR2	F05	VDD_INT	H13
GND	J11	LDAT0_2	F18	VDD_DDR2	F15	VDD_INT	H14
GND	J12	LDAT0_3	G17	VDD_DDR2	G14	VDD_INT	J06
GND	J14	LDAT0_4	G18	VDD_DDR2	G16	VDD_INT	J13
GND	J17	LDAT0_5	H16	VDD_EXT	H15	VDD_INT	K06
GND	K05	LDAT0_6	H17	VDD_EXT	H18	VDD_INT	K13
GND	K07	LDAT0_7	J16	VDD_EXT	J05	VDD_INT	L06
GND	K08	LDAT1_0	K18	VDD_EXT	J15	VDD_INT	L13
GND	K09	LDAT1_1	L16	VDD_EXT	K14	VDD_INT	M06
GND	K10	LDAT1_2	L17	VDD_EXT	L05	VDD_INT	M13
GND	K11	LDAT1_3	L18	VDD_EXT	M14	VDD_INT	N06
GND	K12	LDAT1_4	M16	VDD_EXT	M18	VDD_INT	N07
GND	L07	LDAT1_5	M17	VDD_EXT	N05	VDD_INT	N08
GND	L08	LDAT1_6	N16	VDD_EXT	P06	VDD_INT	N09
GND	L09	LDAT1_7	P16	VDD_EXT	P08	VDD_INT	N13
GND	L10	MLBCLK	K03	VDD_EXT	P10	VDD_THD	N10
GND	L11	MLBDAT	K04	VDD_EXT	P12	VREF	D04
GND	L12	MLBDO	L04	VDD_EXT	P14	VREF	D11
GND	L14	MLBSIG	L02	VDD_EXT	P15	XTAL	K01
GND	M05	MLBSO	L03	VDD_EXT	T08		
GND	M07	$\overline{\text{RESET}}$	M01	VDD_EXT	T09		
GND	M08	$\overline{\text{RESETOUT/RUNRSTIN}}$	M02	VDD_EXT	U09		
GND	M09	TCK	K15	VDD_EXT	V09		
GND	M10	TDI	L15	VDD_EXT/ $\overline{\text{BR1}}$ <sup>1</sup>	V08		
GND	M11	TDO	M15	VDD_EXT/ $\overline{\text{BR2}}$ <sup>1</sup>	U08		
GND	M12	THD_M	N12	VDD_INT	D12		
GND	N14	THD_P	N11	VDD_INT	E06		
GND	N17	TMS	K16	VDD_INT	E08		

<sup>1</sup>This pin can be used for shared DDR2 memory between two processors. Table 10 on Page 13 for appropriate connections.

A1 CORNER  
INDEX AREA



- |   |                      |   |                     |   |                    |
|---|----------------------|---|---------------------|---|--------------------|
| ⊕ | V <sub>DD_INT</sub>  | ⊖ | AGND                | ⊕ | V <sub>DD_A</sub>  |
| ⊗ | V <sub>DD_EXT</sub>  | ⊕ | V <sub>REF</sub>    | ⊖ | GND                |
| ⊙ | V <sub>DD_DDR2</sub> | ⊖ | V <sub>DD_THD</sub> | ⊙ | I/O SIGNALS        |
|   |                      | ● |                     | ● | SHARED MEMORY PINS |

Figure 59. Ball Configuration, Automotive Model

# ADSP-21467/ADSP-21469

## CSP\_BGA BALL ASSIGNMENT—STANDARD MODELS

Table 61 lists the standard model CSP\_BGA ball assignments by signal.

Table 61. CSP\_BGA Ball Assignment (Alphabetical by Signal)

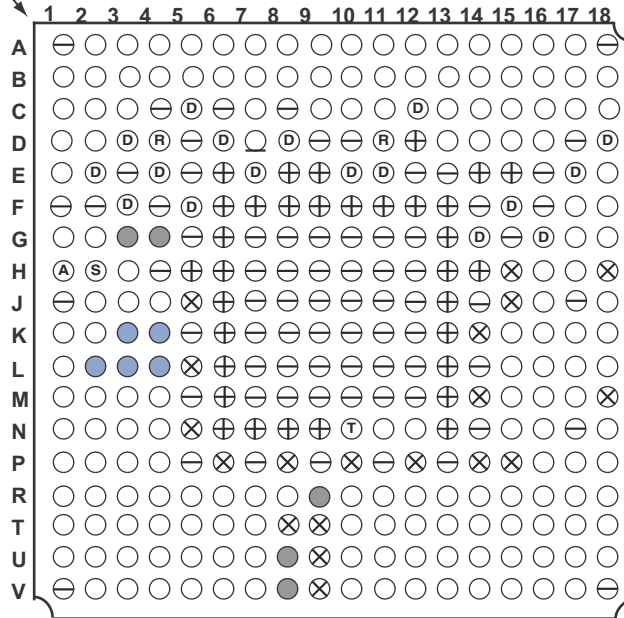
Signal	Ball No.	Signal	Ball No.	Signal	Ball No.	Signal	Ball No.
AGND	H02	CLK_CFG0	G01	DDR2_BA1	C17	DPI_P04	R01
AMI_ACK	R10	CLK_CFG1	G02	DDR2_BA2	B18	DPI_P05	P01
AMI_ADDR0	V16	CLKIN	L01	DDR2_CAS	C07	DPI_P06	P02
AMI_ADDR01	U16	DAI_P01	R06	DDR2_CKE	E01	DPI_P07	P03
AMI_ADDR02	T16	DAI_P02	V05	DDR2_CLK0	A07	DPI_P08	P04
AMI_ADDR03	R16	DAI_P03	R07	DDR2_CLK0	B07	DPI_P09	N01
AMI_ADDR04	V15	DAI_P04	R03	DDR2_CLK1	A13	DPI_P10	N02
AMI_ADDR05	U15	DAI_P05	U05	DDR2_CLK1	B13	DPI_P11	N03
AMI_ADDR06	T15	DAI_P06	T05	DDR2_CS0	C01	DPI_P12	N04
AMI_ADDR07	R15	DAI_P07	V06	DDR2_CS1	D01	DPI_P13	M03
AMI_ADDR08	V14	DAI_P08	V02	DDR2_CS2	C02	DPI_P14	M04
AMI_ADDR09	U14	DAI_P09	R05	DDR2_CS3	D02	EMU	K02
AMI_ADDR10	T14	DAI_P10	V04	DDR2_DATA0	B02	FLAG0	R08
AMI_ADDR11	R14	DAI_P11	U04	DDR2_DATA01	A02	FLAG1	V07
AMI_ADDR12	V13	DAI_P12	T04	DDR2_DATA02	B03	FLAG2	U07
AMI_ADDR13	U13	DAI_P13	U06	DDR2_DATA03	A03	FLAG3	T07
AMI_ADDR14	T13	DAI_P14	U02	DDR2_DATA04	B05	GND	A01
AMI_ADDR15	R13	DAI_P15	R04	DDR2_DATA05	A05	GND	A18
AMI_ADDR16	V12	DAI_P16	V03	DDR2_DATA06	B06	GND	C04
AMI_ADDR17	U12	DAI_P17	U03	DDR2_DATA07	A06	GND	C06
AMI_ADDR18	T12	DAI_P18	T03	DDR2_DATA08	B08	GND	C08
AMI_ADDR19	R12	DAI_P19	T06	DDR2_DATA09	A08	GND	D05
AMI_ADDR20	V11	DAI_P20	T02	DDR2_DATA10	B09	GND	D07
AMI_ADDR21	U11	DDR2_ADDR0	D13	DDR2_DATA11	A09	GND	D09
AMI_ADDR22	T11	DDR2_ADDR01	C13	DDR2_DATA12	A11	GND	D10
AMI_ADDR23	R11	DDR2_ADDR02	D14	DDR2_DATA13	B11	GND	D17
AMI_DATA0	U18	DDR2_ADDR03	C14	DDR2_DATA14	A12	GND	E03
AMI_DATA1	T18	DDR2_ADDR04	B14	DDR2_DATA15	B12	GND	E05
AMI_DATA2	R18	DDR2_ADDR05	A14	DDR2_DM0	C03	GND	E12
AMI_DATA3	P18	DDR2_ADDR06	D15	DDR2_DM1	C11	GND	E13
AMI_DATA4	V17	DDR2_ADDR07	C15	DDR2_DQS0	A04	GND	E16
AMI_DATA5	U17	DDR2_ADDR08	B15	DDR2_DQS0	B04	GND	F01
AMI_DATA6	T17	DDR2_ADDR09	A15	DDR2_DQS1	A10	GND	F02
AMI_DATA7	R17	DDR2_ADDR10	D16	DDR2_DQS1	B10	GND	F04
AMI_MS0	T10	DDR2_ADDR11	C16	DDR2_ODT	B01	GND	F14
AMI_MS1	U10	DDR2_ADDR12	B16	DDR2_RAS	C09	GND	F16
AMI_RD	J04	DDR2_ADDR13	A16	DDR2_WE	C10	GND	G05
AMI_WR	V10	DDR2_ADDR14	B17	DPI_P01	R02	GND	G07
BOOT_CFG0	J02	DDR2_ADDR15	A17	DPI_P02	U01	GND	G08
BOOT_CFG1	J03	DDR2_BA0	C18	DPI_P03	T01	GND	G09

**Table 61. CSP\_BGA Ball Assignment (Alphabetical by Signal) (Continued)**

Signal	Ball No.	Signal	Ball No.	Signal	Ball No.	Signal	Ball No.
GND	G10	GND	M10	$\overline{\text{TRST}}$	N15	V <sub>DD_INT</sub>	E09
GND	G11	GND	M11	V <sub>DD_A</sub>	H01	V <sub>DD_INT</sub>	E14
GND	G12	GND	M12	V <sub>DD_DDR2</sub>	C05	V <sub>DD_INT</sub>	E15
GND	G15	GND	N14	V <sub>DD_DDR2</sub>	C12	V <sub>DD_INT</sub>	F06
GND	H04	GND	N17	V <sub>DD_DDR2</sub>	D03	V <sub>DD_INT</sub>	F07
GND	H07	GND	P05	V <sub>DD_DDR2</sub>	D06	V <sub>DD_INT</sub>	F08
GND	H08	GND	P07	V <sub>DD_DDR2</sub>	D08	V <sub>DD_INT</sub>	F09
GND	H09	GND	P09	V <sub>DD_DDR2</sub>	D18	V <sub>DD_INT</sub>	F10
GND	H10	GND	P11	V <sub>DD_DDR2</sub>	E02	V <sub>DD_INT</sub>	F11
GND	H11	GND	P13	V <sub>DD_DDR2</sub>	E04	V <sub>DD_INT</sub>	F12
GND	H12	GND	R09	V <sub>DD_DDR2</sub>	E07	V <sub>DD_INT</sub>	F13
GND	J01	GND	V01	V <sub>DD_DDR2</sub>	E10	V <sub>DD_INT</sub>	G06
GND	J07	GND	V18	V <sub>DD_DDR2</sub>	E11	V <sub>DD_INT</sub>	G13
GND	J08	GND/ID0	G03	V <sub>DD_DDR2</sub>	E17	V <sub>DD_INT</sub>	H05
GND	J09	GND/ID1	G04	V <sub>DD_DDR2</sub>	F03	V <sub>DD_INT</sub>	H06
GND	J10	LACK_0	K17	V <sub>DD_DDR2</sub>	F05	V <sub>DD_INT</sub>	H13
GND	J11	LACK_1	P17	V <sub>DD_DDR2</sub>	F15	V <sub>DD_INT</sub>	H14
GND	J12	LCLK_0	J18	V <sub>DD_DDR2</sub>	G14	V <sub>DD_INT</sub>	J06
GND	J14	LCLK_1	N18	V <sub>DD_DDR2</sub>	G16	V <sub>DD_INT</sub>	J13
GND	J17	LDAT0_0	E18	V <sub>DD_EXT</sub>	H15	V <sub>DD_INT</sub>	K06
GND	K03	LDAT0_1	F17	V <sub>DD_EXT</sub>	H18	V <sub>DD_INT</sub>	K13
GND	K04	LDAT0_2	F18	V <sub>DD_EXT</sub>	J05	V <sub>DD_INT</sub>	L06
GND	K05	LDAT0_3	G17	V <sub>DD_EXT</sub>	J15	V <sub>DD_INT</sub>	L13
GND	K07	LDAT0_4	G18	V <sub>DD_EXT</sub>	K14	V <sub>DD_INT</sub>	M06
GND	K08	LDAT0_5	H16	V <sub>DD_EXT</sub>	L05	V <sub>DD_INT</sub>	M13
GND	K09	LDAT0_6	H17	V <sub>DD_EXT</sub>	M14	V <sub>DD_INT</sub>	N06
GND	K10	LDAT0_7	J16	V <sub>DD_EXT</sub>	M18	V <sub>DD_INT</sub>	N07
GND	K11	LDAT1_0	K18	V <sub>DD_EXT</sub>	N05	V <sub>DD_INT</sub>	N08
GND	K12	LDAT1_1	L16	V <sub>DD_EXT</sub>	P06	V <sub>DD_INT</sub>	N09
GND	L02	LDAT1_2	L17	V <sub>DD_EXT</sub>	P08	V <sub>DD_INT</sub>	N13
GND	L03	LDAT1_3	L18	V <sub>DD_EXT</sub>	P10	V <sub>DD_THD</sub>	N10
GND	L04	LDAT1_4	M16	V <sub>DD_EXT</sub>	P12	V <sub>REF</sub>	D04
GND	L07	LDAT1_5	M17	V <sub>DD_EXT</sub>	P14	V <sub>REF</sub>	D11
GND	L08	LDAT1_6	N16	V <sub>DD_EXT</sub>	P15	XTAL	K01
GND	L09	LDAT1_7	P16	V <sub>DD_EXT</sub>	T08		
GND	L10	$\overline{\text{RESET}}$	M01	V <sub>DD_EXT</sub>	T09		
GND	L11	$\overline{\text{RESETOUT/RUNRSTIN}}$	M02	V <sub>DD_EXT</sub>	U09		
GND	L12	TCK	K15	V <sub>DD_EXT</sub>	V09		
GND	L14	TDI	L15	V <sub>DD_EXT</sub> / $\overline{\text{BR1}}$	V08		
GND	M05	TDO	M15	V <sub>DD_EXT</sub> / $\overline{\text{BR2}}$	U08		
GND	M07	THD_M	N12	V <sub>DD_INT</sub>	D12		
GND	M08	THD_P	N11	V <sub>DD_INT</sub>	E06		
GND	M09	TMS	K16	V <sub>DD_INT</sub>	E08		

# ADSP-21467/ADSP-21469

A1 CORNER  
INDEX AREA

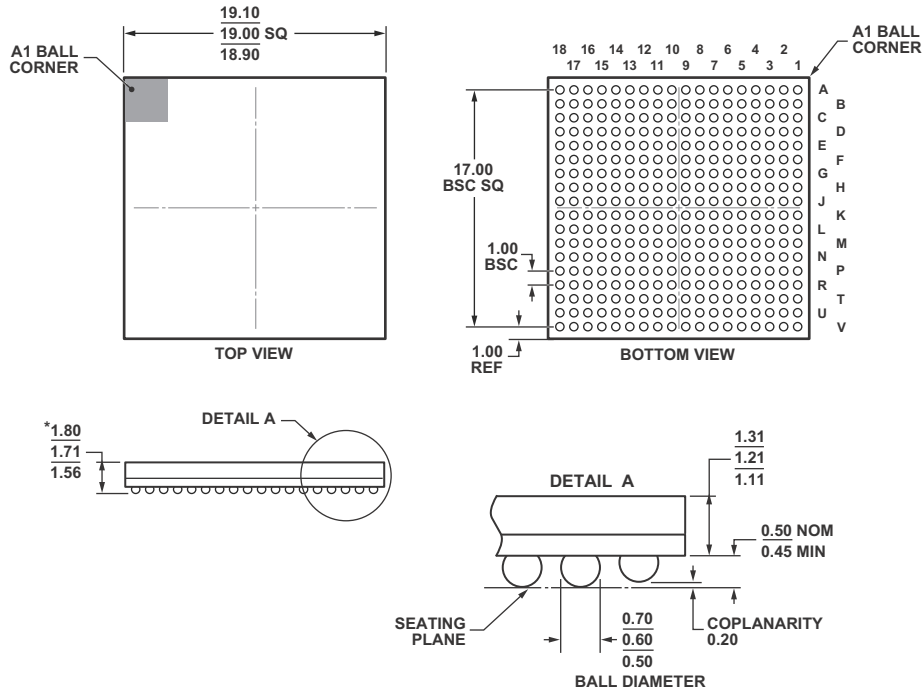


- ⊕ V<sub>DD\_INT</sub>    ● NC    ⊖ V<sub>REF</sub>    ⊖ AGND
- ⊗ V<sub>DD\_EXT</sub>    ○ I/O SIGNALS    ⊖ V<sub>DD\_THD</sub>    ● SHARED MEMORY PINS
- ⊖ GND    ⊖ V<sub>DD\_DDR2</sub>    ⊖ V<sub>DD\_A</sub>

Figure 60. Ball Configuration, Standard Model

## OUTLINE DIMENSIONS

The processors are available in a 19 mm by 19 mm CSP\_BGA lead-free package.



\*COMPLIANT TO JEDEC STANDARDS MO-192-AAG-1 WITH THE EXCEPTION TO PACKAGE HEIGHT.

Figure 61. 324-Ball Chip Scale Package, Ball Grid Array [CSP\_BGA] (BC-324-1)

Dimensions shown in millimeters

## SURFACE-MOUNT DESIGN

The following table is provided as an aid to PCB design. For industry-standard design recommendations, refer to IPC-7351, *Generic Requirements for Surface-Mount Design and Land Pattern Standard*.

Package	Package Ball Attach Type	Package Solder Mask Opening	Package Ball Pad Size
324-Ball CSP_BGA (BC-324-1)	Solder Mask Defined	0.43 mm diameter	0.6 mm diameter

# ADSP-21467/ADSP-21469

## AUTOMOTIVE PRODUCTS

The ADSP-21467W and ADSP-21469W models are available with controlled manufacturing to support the quality and reliability requirements of automotive applications. Note that automotive models may have specifications that differ from commercial models and designers should review the Specifications section of this data sheet carefully. Only the automotive

grade products shown in [Table 62](#) are available for use in automotive applications. Contact your local ADI account representative for specific product ordering information and to obtain the specific Automotive Reliability reports for these models.

**Table 62. Automotive Product Models**

Model <sup>1, 2, 3</sup>	Temperature Range <sup>4</sup>	On-Chip SRAM	Package Description	Package Option
AD21467WBBCZ3Axx	-40°C to +85°C	5 Mbits	324-Ball CSP_BGA	BC-324-1
AD21469WBBCZ3xx	-40°C to +85°C	5 Mbits	324-Ball CSP_BGA	BC-324-1

<sup>1</sup> Z = RoHS compliant part.

<sup>2</sup> xx denotes silicon revision.

<sup>3</sup> Axx = ROM version A.

<sup>4</sup> Referenced temperature is ambient temperature. The ambient temperature is not a specification. Please see [Operating Conditions on Page 18](#) for junction temperature (T<sub>j</sub>) specification, which is the only temperature specification.

## ORDERING GUIDE

Model <sup>1</sup>	Temperature Range <sup>2</sup>	On-Chip SRAM	Processor Instruction Rate (Max)	Package Description	Package Option
ADSP-21469KBCZ-3	0°C to +70°C	5 Mbits	400 MHz	324-Ball CSP_BGA	BC-324-1
ADSP-21469BBCZ-3	-40°C to +85°C	5 Mbits	400 MHz	324-Ball CSP_BGA	BC-324-1
ADSP-21469KBCZ-4	0°C to +70°C	5 Mbits	450 MHz	324-Ball CSP_BGA	BC-324-1

<sup>1</sup> Z = RoHS compliant part.

<sup>2</sup> Referenced temperature is ambient temperature. The ambient temperature is not a specification. Please see [Operating Conditions on Page 18](#) for junction temperature (T<sub>j</sub>) specification, which is the only temperature specification.